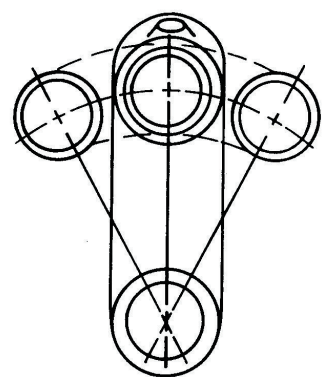
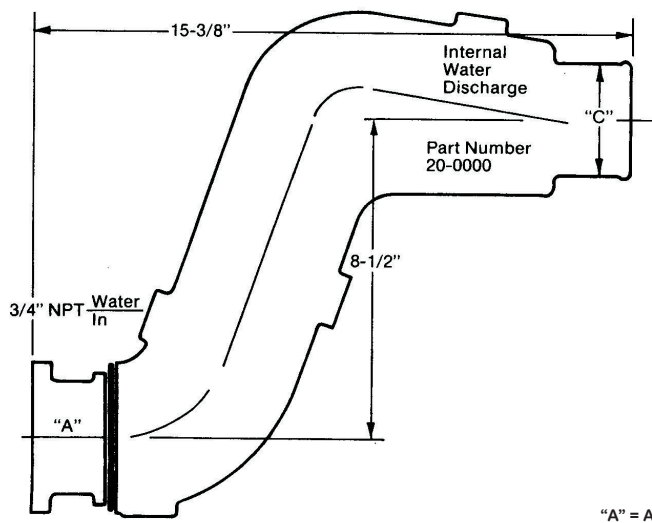
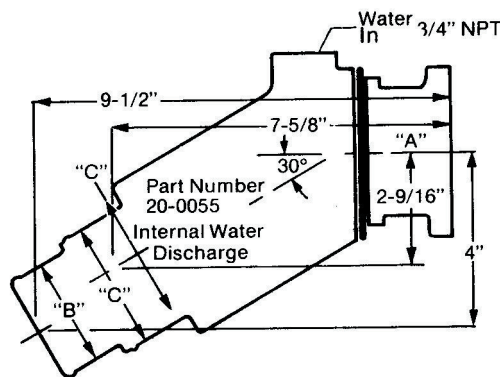
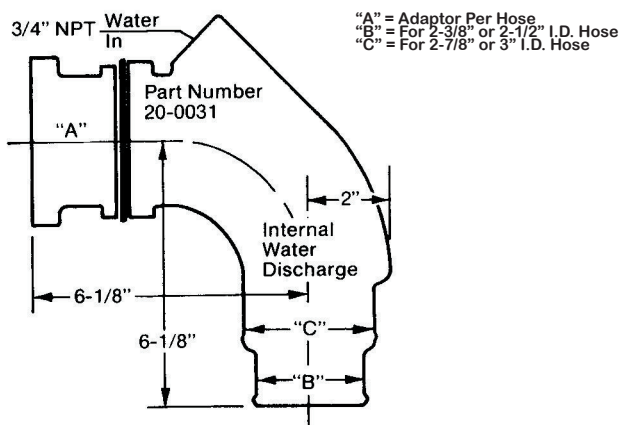
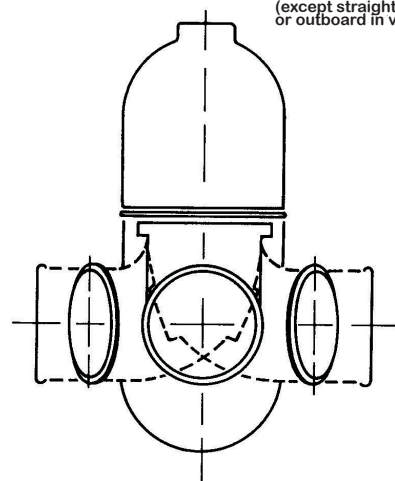
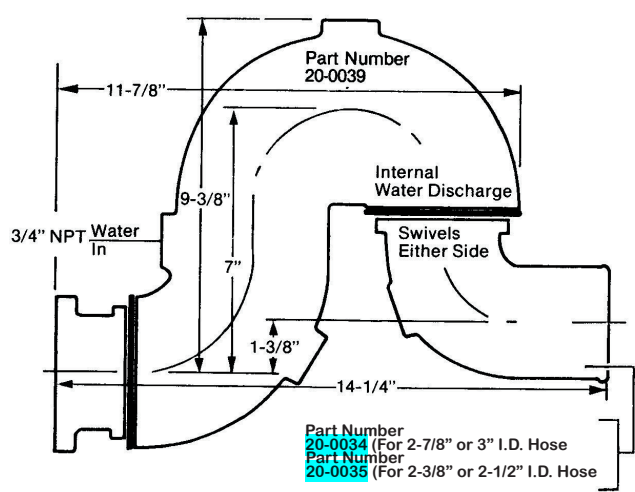


Exhaust Risers and Connectors



"A" = Adaptor Per Hose
"B" = For 2-3/8" or 2-1/2" I.D. Hose
"C" = For 2-7/8" or 3" I.D. Hose



All Barr exhaust risers and connectors (except straight) can be swiveled inboard or outboard in vertical plane.

Exhaust connectors 20-0034 and 20-0035 can be swiveled inboard or outboard in horizontal plane.

