

# dickinson

SINCE 1932

Dickinson Marine  
#407-204 Cayer St Coquitlam  
BC Canada V3K 5B1

[www.dickinsonmarine.com](http://www.dickinsonmarine.com)

[info@dickinsonmarine.com](mailto:info@dickinsonmarine.com)

T: 800 659 9768

F: 604 525 6417



# Lofoten Diesel

---

# Cookstove

---

# Operator's Manual

This manual must be read and the requirements carried out to ensure satisfactory performance.

DICKINSON RESERVES THE RIGHT TO MAKE CHANGES TO PRODUCTS  
OR DOCUMENTS AT ANY TIME

QUALITY INSPECTED BY- Doug & Don

DATE- Jul 15/2008

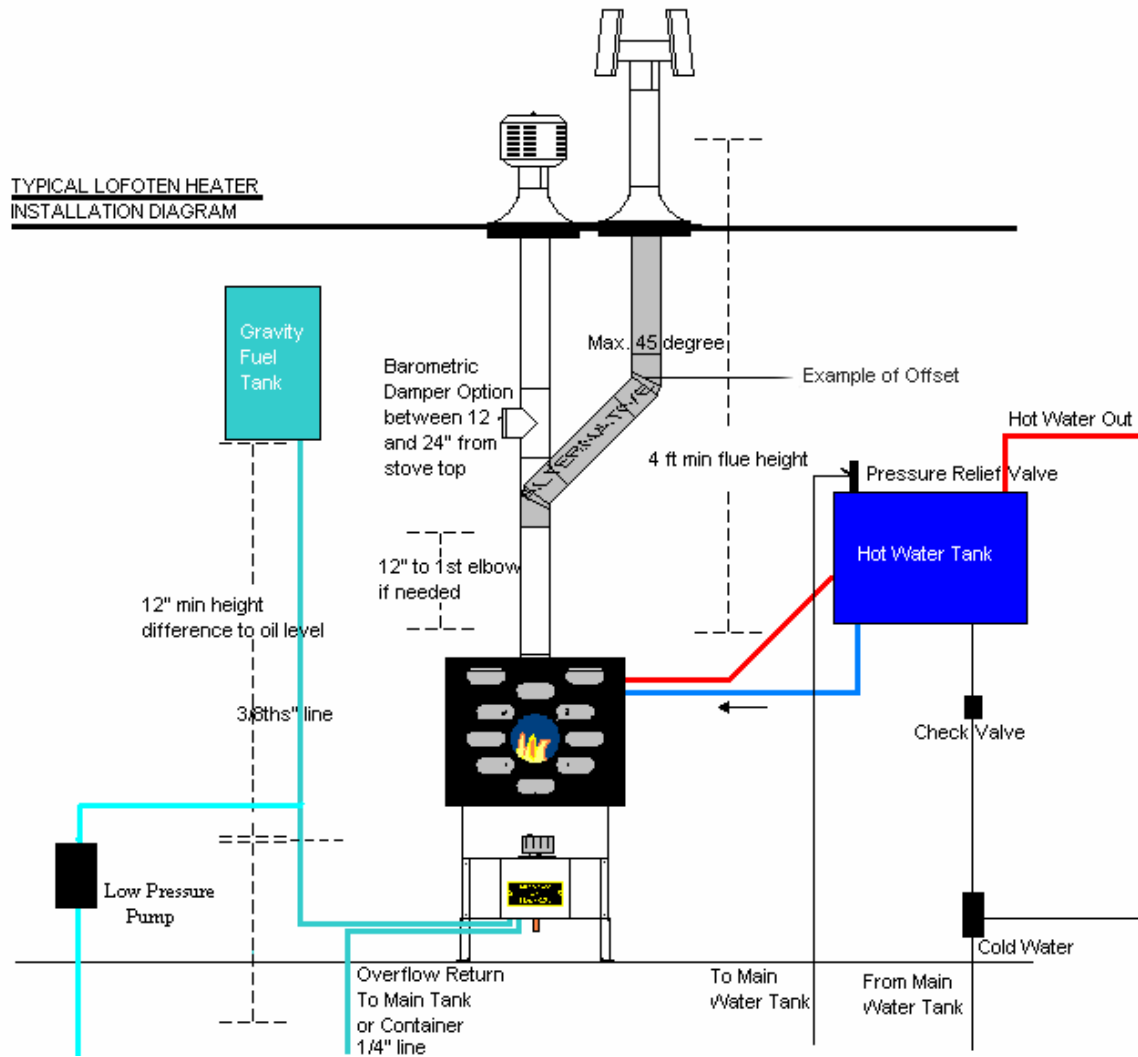
## CONTENTS

|                               |       |                       |       |
|-------------------------------|-------|-----------------------|-------|
| Warnings and Disclosures      | pg-2  | Burner Assembly       | pg-17 |
| Installation Diagram          | pg-3  | Burner Diagram        | pg-18 |
| Clearance Diagram             | pg-4  | Combustion Air        | pg-18 |
| Location                      | pg-4  | Draft Assist Fan      | pg-19 |
| Mounting and Securing         | pg-5  | Checklist             | pg-20 |
| Flue Stack (chimney)          | pg-6  | Lighting Instructions | pg-21 |
| Barometric Install            | pg-6  | Operating tips        | pg-23 |
| Fuel Supply                   | pg-7  | Flooding Burner       | pg-24 |
| Fuel Pump Install             | pg-8  | Water Coil Option     | pg-24 |
| Fuel Overflow                 | pg-9  | Coil Install          | pg-25 |
| Fuel Diagram                  | pg-10 | Burner Cleaning       | pg-26 |
| Fuel Variations               | pg-11 | Burner Replacement    | pg-27 |
| Fuel Measurement & Adjustment | pg-12 | Re-Cementing          | pg-28 |
| Valve Diagram                 | pg-13 | Cleaning The Cast Lid | pg-28 |
| Valve Info                    | pg-14 | Trouble Shooting      | pg-29 |
| Fuel Consumption              | pg-15 | FAQ                   | pg-30 |
| Valve Rebuild                 | pg-16 | Limited Warranty      | pg-31 |
| Valve Safety Features         | pg-17 | Warranty Form         | pg-32 |

## Warnings and Disclosures

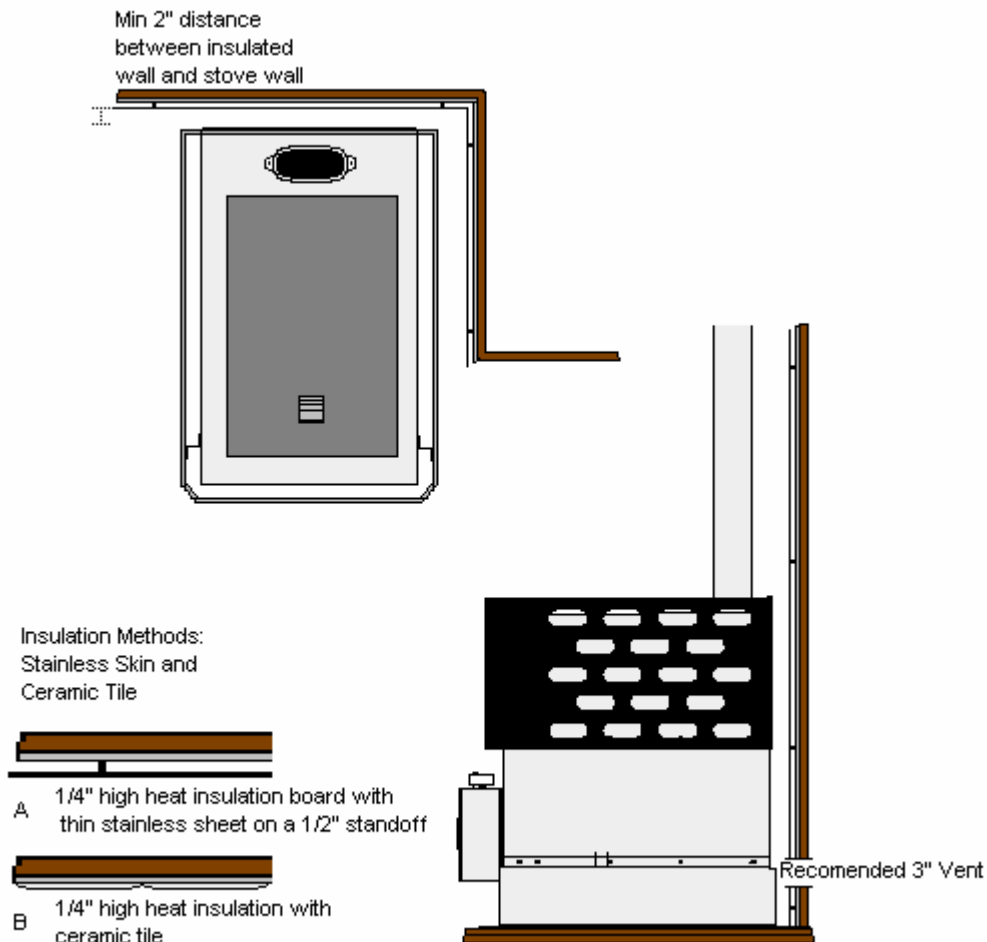
- Follow all installation and operating procedures.
- The oil stove requires an installed flue for correct operation.  
Do not attempt to operate the stove without the flue chimney installed correctly as required in this manual.
- A permanently open fresh air inlet vent **must** be installed near the stove to provide air to the stove for combustion.
- The fuel supply must have a manual shut-off at the fuel tank as well as a manual shut-off near the stove.
- The fuel must be filtered to at least 10 microns and not exceed 4 PSI of pressure.
- The fuel type stamped on the side of the oil metering valve is the same as the fuel in the tank. D-diesel, SO- stove oil or #1 diesel , K-kerosene
- A barometric damper installed and adjusted is a must for good draft and complete combustion.
- Do not use substitute valves, burners, or fan motors
- Keep the flames burning completely above the top burner ring after stove is warmed up.
- Turn off the stove when refueling.
- **DO NOT OPERATE THIS STOVE UNATTENDED !**

# Installation Diagram



NOTE: Not all installations will require a pump, gravity tank, elbows, or coil options

## Clearance Diagram



## Installation Guidelines

### Location

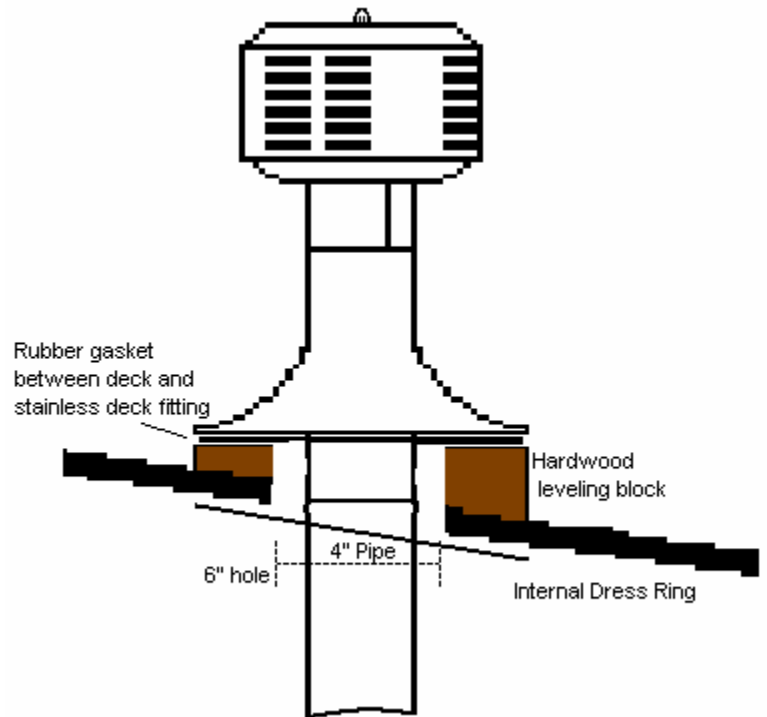
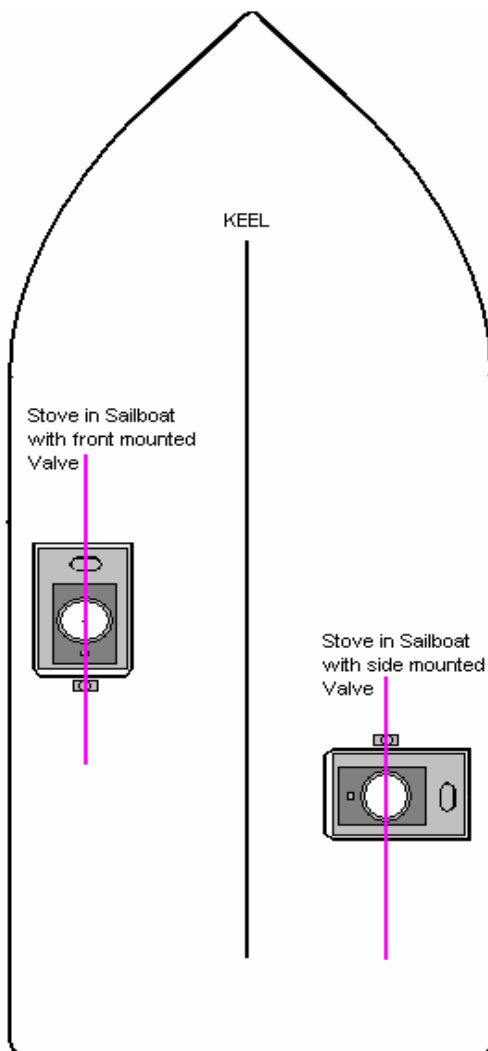
The location of the stove must be large enough to provide safety clearances. Objects and materials closer to the stove than 6" must be lined with high density, heat retardant insulation and covered with metal (stainless steel, aluminum, etc.). Another alternative is using ceramic tiles. Particular care must be taken to protect the surfaces close to the cast iron top and first section of flue pipe.

The install location should also take into account the length and configuration of the flue stack. It is generally preferable that the flue stack be a long straight run. If you have the option, avoid having to use elbows.

Ideally, the stove should face the bow or stern of your vessel, particularly on a sailboat. Fuel gravity feeds from the oil-metering valve into the burner. Should this valve drop below the level of the burner fuel will not flow uphill into the burner and the fire will go out. In a beam-facing sailboat installation, the oil metering valve may have to be relocated to the side of the stove. There are holes in the side panel to hold the repositioned valve bracket. If you have any doubt regarding the need for a valve bracket, please ask your dealer or email [info@dickinsonmarine.com](mailto:info@dickinsonmarine.com)

## Mounting and Securing

When mounting the stove holes have been provided in the feet to allow appropriate fasteners to secure. The drip tray will then slide under the bottom of the stove.



Note: Burner and valve are in line with the keel.

## Flue Stack

The length and straightness of the flue stack are important to the efficient operation of the stove. The Flue stack must be the correct diameter. If elbows must be used, the elbows shall not be greater than a 45 degree angle. The first elbow should not be closer than 12” (28cm) to the stove. Allow for as much straight pipe as possible before the first elbow.

**The pipe will attach to the stove by squeezing the round pipe over the oval flue collar when installing.**

|                    |             |        |
|--------------------|-------------|--------|
| Pipe Diameter      | 4 inch dia. | 10.2cm |
| Recommended Length | 6 ft        | 1.83m  |
| Minimum Length     | 4 ft        | 1.23m  |
| Hole Diameter      | 6 inch dia. | 15.2cm |

A Barometric Damper is a MUST FOR BEST COMBUSTION.

The barometric damper should be installed in oil and solid fuel heaters and stoves. The purpose is to maintain a strong draft without causing too much air to the fuel mixture.

When the damper is adjusted the draft is altered by allowing air to be pulled into the chimney by the air inlet on the damper and not pulled into the primary mixing holes in the burner.

Install the barometric tee pipe with the front flap facing fore and aft.

In order for the barometric to work efficiently it must be installed between 12” and 24” from the stove exhaust collar. If using a pipe guard turn the barometric tee to the back as it does not have to be seen to work.

To adjust the flap on the barometric back off the jam nut and turn the counterweight so the flap is standing closed. The valve must be set to flow 1 teaspoon per minute of fuel on the lowest setting. Once the stove has been burning for some time and the room temperature is starting to rise is a good time to do the adjustment.

Adjust the counterweight so the flap starts to open (aprox 6mm or 1/4”). This will allow air to enter the barometric tee and reduce the air entering the burner. This will cause the flame to burn above the top burner ring. If the flame is still burning below the ring adjust the flap open another 3mm or 1/8”. At this time if there is flame burning below the top burner ring and the barometric flap is open aprox 9mm or 3/8” do not adjust the flap open any further and re-adjust the valve fuel flow rate until the flame is above the ring.

This adjustment need only done once after the install and the jam nut can be re-tightened.

The draft above the top of the fire will be approx -.05 inches of water column, should you have a draft meter, however adjusting the damper as above should get you close enough.

Dickinson can supply you with a stainless steel thru-deck fitting for your pipe installation. The thru-deck fitting includes a stainless steel dress ring for the interior of the cabin and a rubber (neoprene) gasket easy mounting. Depending on the contour or the angle of the cabin top, you may need to make a hardwood spacer block. One surface of the block would be a level plane to mate to the deck cap. The other would match the angle or contour of the cabin top. A hole through the center of the block would be 2 inches greater in diameter than the flue pipe.

The Dickinson DP or H style flue caps are recommended. The location of the flue cap above deck must be clear of any immediate obstruction that may cause unusual air movement or turbulence. CAUTION : The Flue Cap gets hot when the stove is operating.

**Note:** The caps, pipe, and deck fitting may appear to have a rusting look. This is caused by operating the stove too rich. This will produce soot that will leave carbon deposits on the stainless steel giving the appearance of rust, much like cleaning stainless steel with a steel SOS pad. The stainless can be cleaned with a scotchbrite pad to remove the rusty looking surface.

## Fuel Supply

Fuel is supplied to the oil-metering valve of the stove from a gravity feed tank or by a low-pressure pump direct from the main fuel tank. The fuel metering valve is rated to an incoming fuel pressure of 3 psi. If fuel supply exceeds 4 psi a pressure regulator will be needed in the supply line. Dickinson part # 20-003.

- Install a gravity tank no higher than 8 feet above the valve of the stove without a pressure regulator.
- Install a low pressure fuel pump with a pressure no greater than 4 psi (2.5-3 psi is ideal)

Install a low pressure fuel regulator set to within a range of 2.5-4 psi. When a gravity tank is used a minimum head of fuel 12" (30.48 cm) above the fuel level marked on the side of the oil-metering valve is required to operate the oil-metering valve. The gravity feed tank must be vented and all fuel lines must be as straight as possible to avoid air locks. The fuel inlet is a 3/8" flare fitting.

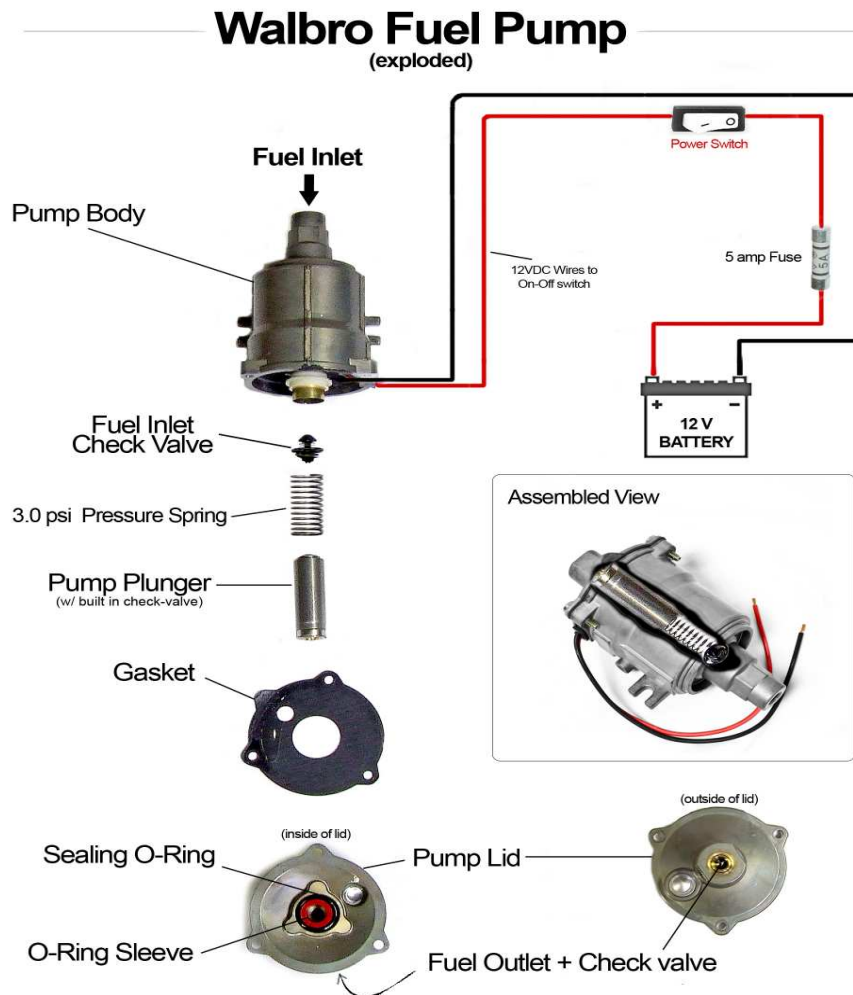
#20-000 FRD-2 3 PSI FUEL PUMP

&

#20-002 FRD-HD c/w REGULATOR FUEL PUMP

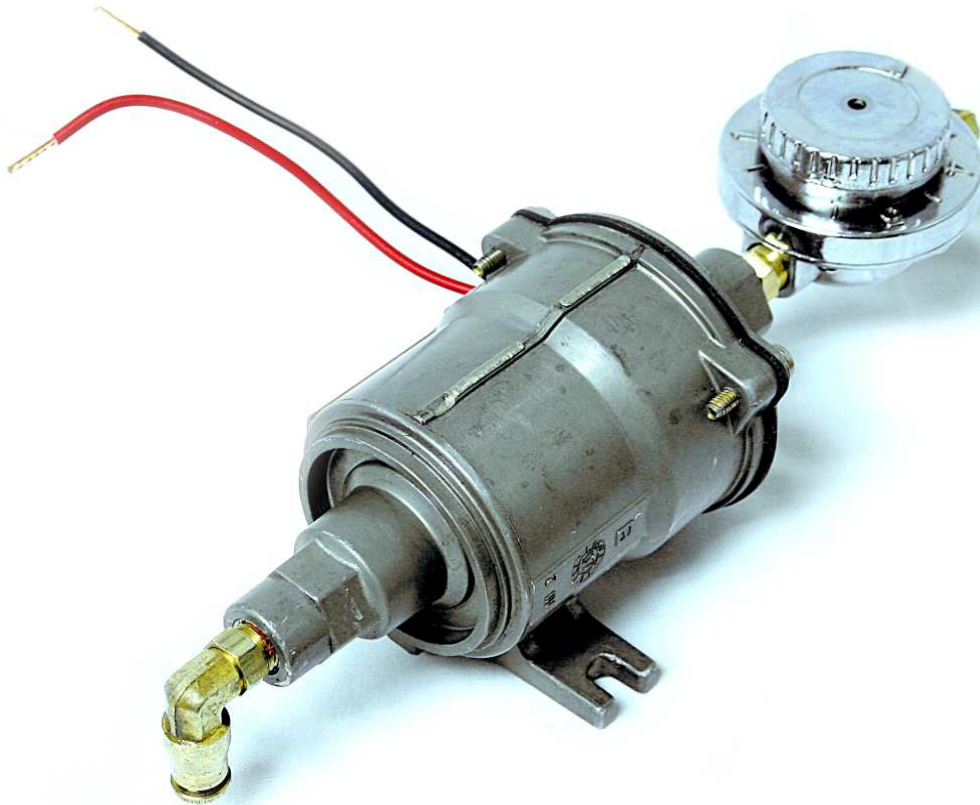
- These are 12 volt DC pumps. The factory spring pressure for the #20-000 FRD-2 pump is set at 3 PSI (max 6 ft. lift).
- The #20-002 FRD-HD pump has a stronger pressure spring that will draw the fuel higher (max 15 ft. lift) but will need the regulator to adjust the pressure down to 3 PSI before the fuel goes to the oil metering valve.
- You must use a fuel oil filter in your installation before the pump to keep debris from plugging up the 3 check valves inside the pump.
- When the oil metering valve (carburetor) is full and the line is up to pressure, the pump will still “tick” but less frequent depending on the demand from the oil metering valve. **NOTE:** Include the pump in a control circuit with a 3 amp fuse (16 awg wire) so you can turn it off when the heater/stove is not in use.
- **NOTE:** If the power to the pump is shut off, the fuel could still flow through to the pump by way of siphon. **The flow of fuel should be turned off using the shut-off valve near the heater/stove as well as the oil metering valve.**
- **IMPORTANT!** This pump must be installed as high as the oil metering valve (or higher). This pump is a “pull” pump rather than a push pump, and must be installed so that the fuel oil is pulled as high as the oil metering valve and gravity feeds back down to the valve. Use a rubber backing as a washer to soften the sound of the pump and use appropriate screws to fasten. If there is no fuel getting to the oil metering valve, you may need the heavy duty pump # 20-002, or call / email Dickinson for retrofitting a stronger pressure spring in your pump and installing a pressure regulator # 20-003 between the pump and the valve (converting a #20-000 FRD-2 pump to a #20-002 FRD-**HD** pump).
- The pumps can be installed with fuel inlets and outlets up or down, however mounting the pump with the fuel inlet on top (Note the fuel OUTLET is on the end of the pump that has the wire connections and the 3 assembly screws), will give the pump extra pressure and is easier to clean but will need to be primed the first time only to remove air in the fuel line). There are 3 check valves in the pump to prevent the back flow of fuel, so the pump should stay primed. If the pump does not stay primed then 1 of the check valves in the pump needs cleaning. To prime the pump disconnect the fuel line at the valve fuel inlet and pump fuel into a container to remove all the air in the fuel lines. After a cup of fuel has been pumped, reconnect fuel line to the valve.
- The pump should be installed in a ventilated area and not near a hot exhaust.
- Ground to negative battery (not recommended for gasoline).
- To retrofit the pump to a higher pressure unscrew the 3 torxs screws (t-20) and with twisting the lid back and forth, pull it **straight** back off. Note the pump plunger, spring, check valve, and a very small amount of fuel will drop out if

installed as per diagram. Place the check valve as shown in the diagram on top of the heavier replacement spring, and the spring on top of the pump plunger and push it back into the pump body holding it in with a finger. Note the magnetic part of the plunger is on the opposite end of the spring. Replace the lid with the gasket on by lowering your finger on to the red O ring sleeve without the plunger falling out ( the plunger is about 2" long so you have room to lower your finger out of the way). The red O ring sleeve will fit inside the pump tube and the black O ring will fit over the outside of the pump tube and will require twisting and pushing the lid **straight** back in. This is a little tight but that is what makes the seal. Rotate the gasket and replace the screws.



-8B-

**#20-002 FRD-HD c/w REGULATOR**



We recommend using an elbow fitting on the fuel inlet. When priming this pump hold down the knob of the pressure regulator to prime the fuel lines and take out the air then turn the dial to the lowest setting on the regulator and increase pressure 1 increment at a time until the pump is just delivering a small amount of fuel as the heater/stove only requires a very small amount .

Use 3/8" (9.52 mm) copper fuel line for the first 2-3 ft closest to the heater/stove. Approved hose can be used for the remainder of the installation.

### **DO NOT USE A PRESSURIZED FUEL TANK.**

When a low pressure fuel delivery pump is used (less than 4 psi) a fuel line must be plumbed directly from the main fuel tank or tee in at the tank (not from the engine supply line or engine filter). Use a check valve in the stove fuel line to stop the engine from pulling back the fuel and starving the stove. The fuel inlet is a 3/8" flare fitting.

To keep the oil metering valve clean and trouble free install a fuel filter to remove impurities from the fuel. If you use a fuel pump, we suggest having the filter before the pump. We suggest changing or cleaning your filter or filter element each year.

A fuel shut off valve must be installed as a positive shut off control for the fuel supply. We suggest this be installed in the same area that the stove is being used. Dickinson can provide a fuel filter/shut off valve#20-010 with a replaceable stone element #20-020.

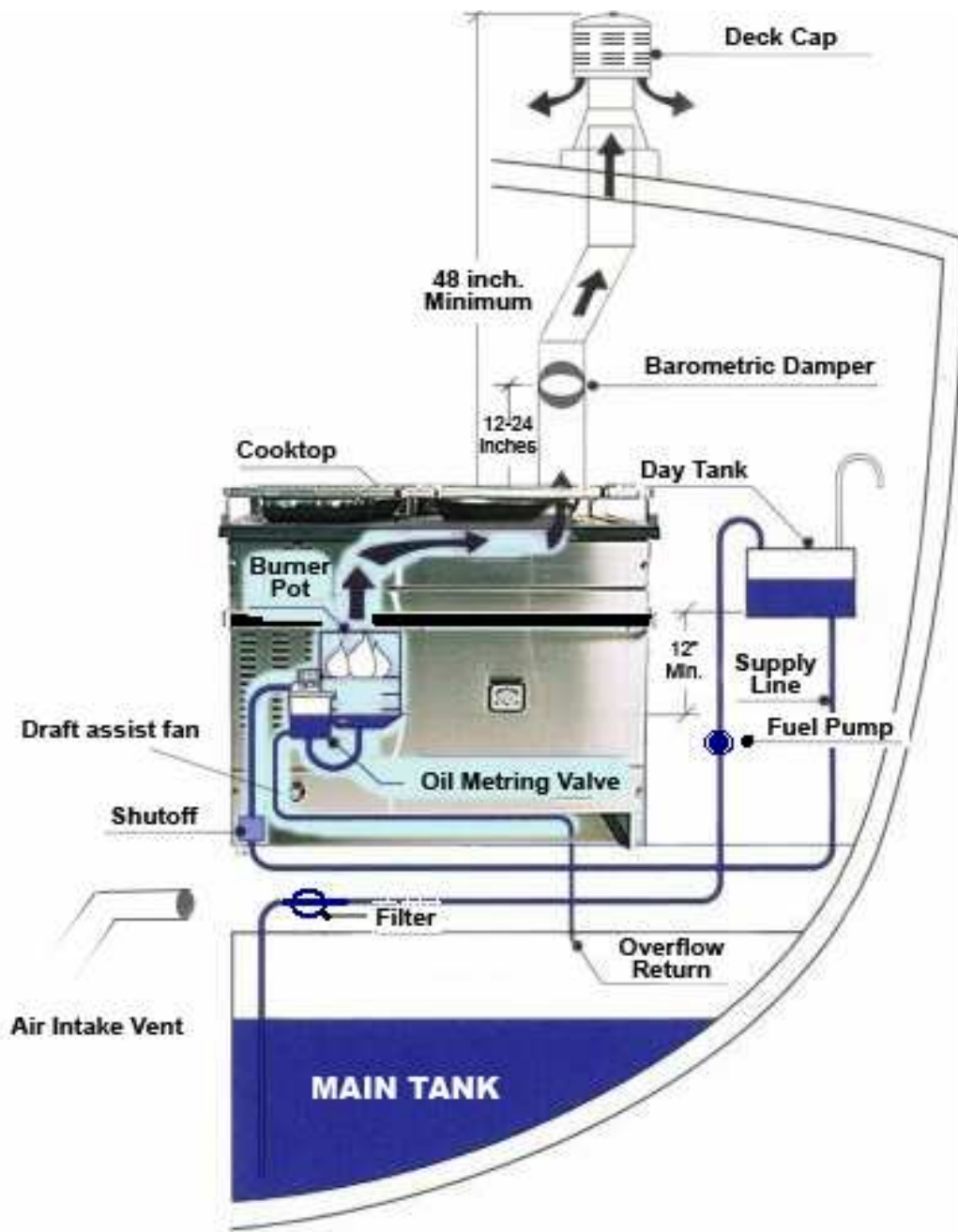
### **Metering Valve Overflow**

The overflow feature of the oil metering valve is designed to allow the controlled escape of fuel from the stove in case of over pressurization. If dirt, debris, or too much pressure gets into the needle and seat inside the valve the fuel will rise then overflow out of the valve and away from the stove. It is common to get a few drips now and then from the movement in rough waters however fuel from the overflow indicates the need to service and clean the valve.

**Under no circumstances must the overflow fitting be plugged.** A fuel line must be taken from the overflow fitting back to the main tank or to a container away from the heat source.

The fuel overflow is a gravity escape. Do not install the overflow line so that it goes up or loops as this will cause an air lock and block the fuel from escaping. Install a container, if used, lower and away from the heat of the stove.

**Note** – If the vent of the boats fuel tanks are higher than the valve of the stove, and the overflow of the stove goes back to the tank, there may be a chance that the fuel (when refilling) will back flow up the overflow and out of the valve. If your installation is similar you may need to install a manual shut-off teed in the overflow line and closed when refilling tanks. **CAUTION** After refilling re-open the shut-off valve. Do not use a check valve.

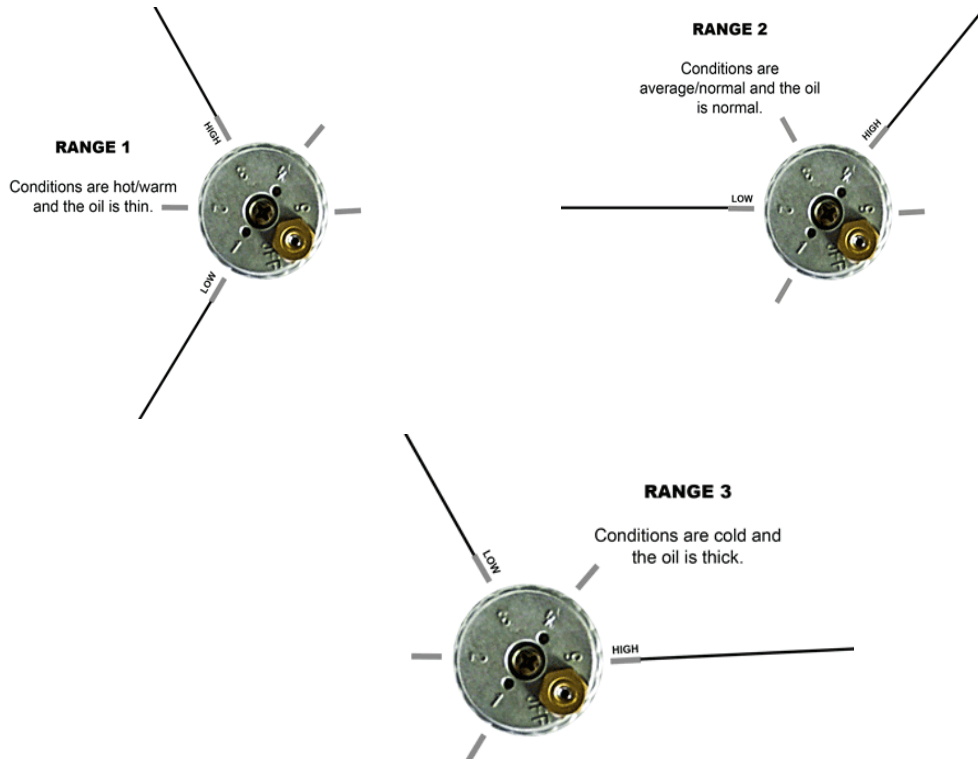


## Fuel Variations

It is unlikely that the fuel you are using is the same viscosity as the fuel used to calibrate the oil-metering valve. Diesel is one of the few fuels you can reliably get all around the world but the quality and viscosity of that fuel is variable. Fuel differs on a routine basis even though you buy the same oil from the same supplier. Factors influencing oil viscosity include: the temperature; the age and quality of the fuel; the regional differences due to local refineries; and the particular mix of certain brands of fuel.

The oil metering valve is calibrated for #2 diesel (unless requested otherwise). Burning diesel #1 (stove oil) will allow 25% more fuel and burning kerosene will allow 50% more fuel to flow through the oil-metering valve. Because of this, it is important to burn the fuel for which the stove has been calibrated. Metering valves are available for diesel (D stamp on valve), kerosene (K stamp) or stove oil, (SO). By Studying the burning characteristics it can be determined whether the fire is too high or too low.

It is important to know that although you can re-calibrate your valve to each variation of fuel, you can also adjust the way you operate the stove to compensate for these variations. If the oil is thicker than usual, open the valve more or use less fan. If the fuel is thin, run the fan more to burn off the fuel.



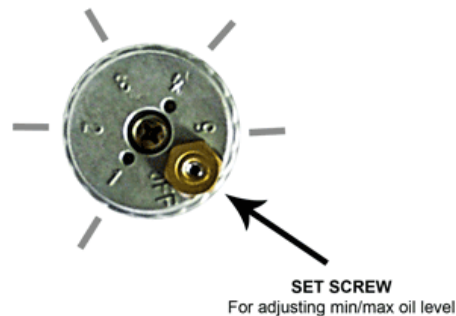
## Fuel Flow Measurement

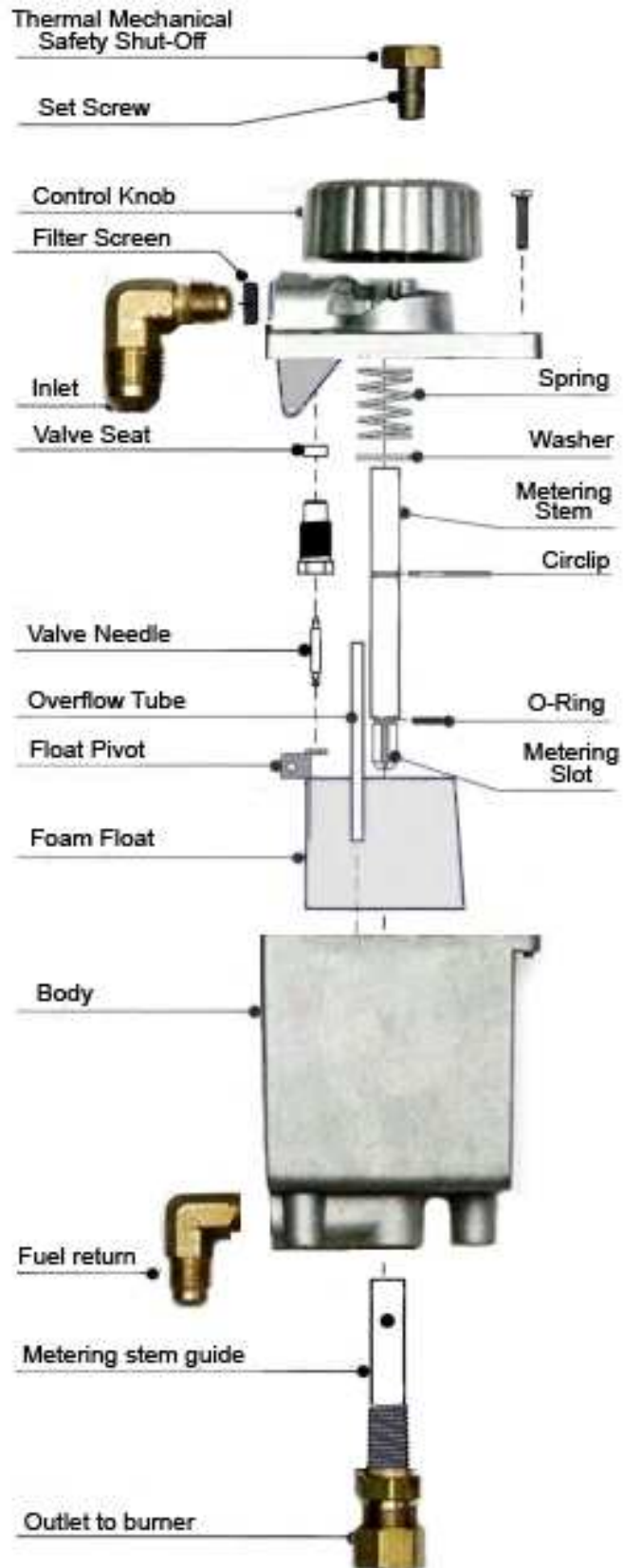
If your stove is burning rich (making soot or smoking) or burning lean (flames not burning above the top burner ring), adjust the flow as follows regardless of what type of fuel:

- 1) Unscrew the compression nut from the bottom of the valve and bend away the copper fuel line. Allow the oil to drip into a cup or container.
- 2) Turn the valve knob to the #1 setting. Measure the quantity of oil dripping slowly from the fuel outlet.
- Knob Setting 1 (all models)      1 teaspoon in 60 seconds (4 c.c.'s per minute)
- Atlantic                                      1 teaspoon in 53 seconds (5 c.c.'s per minute)
- Beaufort                                      1 teaspoon in 45 seconds (6 c.c.'s per minute)

## Fuel Flow Adjustment

Refer to the Oil Metering Valve diagram. The height of the valve-adjusting knob will determine the quantity of oil exiting from the valve outlet. The height is determined by the length of the metering screw against the fuel ramp on the main casting of the valve. Remove the anti-vibration set screw (5/64 allen) located in the center of the brass nut on top of the knob (turn counterclockwise). The adjusting screw may be (5/64 allen) or a very small flat head. Adjust 1/8 turn at a time. After making an adjustment return the set screw using needle nose pliers to hold the adjuster from turning when locking set screw in place.





## Oil Metering Valve

### Information & Rebuild Instructions #02-200

Do not plug the overflow fitting. A fuel line must be taken from the overflow fitting and returned to the main tanks or to a vented container.

The overflow line is a gravity escape and must be installed in such a manner as to prevent air locks. The line may need priming so as to ensure the fuel will escape in the case of a malfunction in the fuel delivery.

**NOTE:** The valve code and fuel identification are stamped on the valve body adjacent to the overflow outlet. See the chart below for your valve identification.

**NOTE:** In some areas oil is thicker than normal. This is common in areas where the oil is under processed or where the temperature is very low. In such cases, valves with larger stem grooves are used. For example, a 4D may be used in place of a 3D.

**NOTE:** Stove Oil (diesel #1) has become a variable product over the years. The viscosity and composition can vary from area to area. Please keep this in mind if Stove Oil is your fuel of choice.

**NOTE:** Bio-Diesel: Due to the higher vaporization temperatures of bio-diesel and the variability in composition and viscosity the setting on the valve will constantly change. Example: With one type of bio-diesel the stove burns best on #2 setting then burning the stove with another grade will change the setting so the stove burns best on #1 or #3 setting. This is also true with regular diesel but more noticeable with bio-diesel. The same goes for low carbon (sulfur) diesel.

## Fuel Consumption

Turning the knob of the oil metering valve clockwise increases the quantity of oil entering the burner.

All valves have been calibrated and tested at 3 p.s.i.

## Fuel Flow Rates

| Code | Low     | High     |
|------|---------|----------|
| 3D   | 4cc/min | 10cc/min |
| 4D   | 5cc/min | 15cc/min |
| 5D   | 6cc/min | 20cc/min |

Code 3 is for the size of heater/stove (all models with a 6" burner)

Code 4 is for Atlantic stove

Code 5 is for Beaufort stove

The "D" is for #2 diesel, "SO" is for #1 diesel, and "K" is for kerosene

The Code is marked on the side of the valve just above the overflow fitting.

## Valve Rebuild

Detach copper fuel lines from the valve inlet and outlet and overflow, then remove the valve from the mounting bracket (do not remove the bottom fitting or the overflow fitting from the valve). Unscrew the two retaining screws holding the valve top to the body. Note that the valve top and the valve knob are attached.

## Variations

Your kit has been packed with all the parts to rebuild your valve. The parts may differ in detail from what you have in your valve. This is due to changes and to the unavailability to the parts over the decades. These parts provided in this kit will work in any Dickinson Valve.

- Remove the float from the float pin
- Remove the needle from the seat fitting.
- Using a 5/16ths socket, remove the seat fitting from the valve top casting, however leave the copper washer **in**.
- Remove the fuel inlet fitting only and remove the stainless screen behind the inlet fitting.
- Clean the threaded aperture in the top casting to remove any dirt or buildup. Perhaps use a pipe cleaner to clean the path from the inlet hole to the seat fitting aperture.
- Remove and replace with new viton 'o' ring on the valve stem, and clean the stem groove.
- Clean out the stem guide in the bottom of the valve housing and the overflow tube.
- Clean the inside of the valve housing castings, top and bottom.
- Replace oil inlet screen with new and replace the inlet fitting into the top casting (use teflon tape and do not over tighten).
- Place the small adaptor in over the copper washer and place the new copper/brass washer over the adaptor, then screw in the new seat into the top casting until tight but not so tight as to damage the aluminum threads of the casting (35 inch pounds).

- Place the new needle in the seat and slide the new float on so the flat bracket groove catches the neck of the needle.
- Insert the float hinge pin and test the movement of the float up and down and that it moves the needle up and down in the fitting. (When held upside-down, the bottom of the float should be parallel to the casting of the valve, in both directions). This very important to keep the float from binding on the stem guide as it moves up and down. If the float is not parallel to the casting , the float pin tabs on the float will need adjusting. Hold the float firmly and bend the tabs using needle nose pliers being gentle to not break the float from the tabs (a small crack is acceptable). Bend both tabs down, or both up to keep float level parallel being careful not to put pressure on the needle and seat when making the adjustments. Check the float for sitting perfectly straight as you may need to bend one tab up and the other tab down in order to achieve the bottom of the float straight in both directions.
- Replace the Top casting into the bottom casting so the metering stem slides in to the metering guide with oil inlet on the same side as the oil overflow.
- Replace the 2 top screws snugly, and move the control knob up and down while tightening the 2 screws. Once tight the control knob should move up and down freely in any position.
- Meter the valve to the specifications above and check the overflow fuel line ( if the float is operating correctly and adjusted parallel to the casting the oil level in the valve will be correct.

The metering high fire screw inserted into the high temperature fuse can also be replaced from the valve rebuild kit, or kept as a spare.

### **Kit Includes #02-200**

1. Float
2. Float pin
3. High Temp Fuse / metering screw adjustment with set screw (8-32)
4. Extra metering screw and set screw for older valves (6-32)
5. Replacement fuel screen
6. Viton 'O' ring
7. Needle & seat & copper/brass washer assembly
8. Adaptor spacer for new style needle and seat
9. Instructions

## Valve Safety Features

A Flame out relates to the oil level and the float level in the oil metering valve. In the event that the stove flame is blown out, oil will continue to accumulate into your burner pot to the depth of 5/8<sup>th</sup> inches and no more. This oil **must** be removed from the pot before the stove is lit again or the stove will dangerously overheat.

A high temperature fuse is incorporated into the oil metering valve. The adjusting screw on the knob of the oil metering valve is fitted with a fusible sleeve. This fuse will melt if the valve knob reaches a temperature of 165 degrees F. This will shut-off the flow of oil into the burner. . Under normal conditions the valve is at room temperature. If the high fire sleeve melts it indicates too much heat in the valve compartment. Overheating of this kind is due to incorrect operating procedures (the flames are burning down in the burner pot) and should be rectified before an overheat occurs again. In case of the release of the fusible link, a replacement part is available from Dickinson or just remove the brass nut (do not move the adjusting screw) and apply heat from a lighter to re-solder the link back into its original position (flat on the top). Once back in place the adjusting screw will not need re-adjusting.

**DO NOT ALLOW FLAMES TO BURN BELOW TOP RING.  
DO NOT LEAVE YOUR STOVE BURNING UNATTENDED**

## Burner Assembly

Your diesel stove has been equipped with a 6” “Airflow” burner. There are two components in the burner that must be correctly placed for the stove to operate properly. The burner ring must be placed at the top of the pot so the outside edge of the ring fits into the groove in the top of the pot. Ensure that the ring fits in evenly and snugly all the way around the pot and that all of the oval shaped slots are clearly visible.

The second component is the superheater. The superheater is placed through the burner ring and will sit on the bottom of the burner with the round 2” disc sitting 2” up from the bottom of the burner . The flat washer on the bottom of the superheater should sit flat on the bottom of the burner to radiate heat to the fuel coming in through the center of the superheater washer. This will need to be kept clean to allow fuel to flow through it. The ring of the superheater will sit up above the burner ring where the flames are and radiate heat down to the vaporizing fuel.

The 2” round disc sitting 2” above the bottom of the burner is to deflect the hot rising vapor up the sides of the burner pulling in the primary air needed to mix with the fuel.



## Combustion Air

To guarantee that sufficient oxygen (fresh air) is available for your stove, good ventilation is essential. It is necessary to replace the air inside your boat at the same rate that the stove is removing it. The higher the stove's burning rate, the more air the stove will require. If the air flow is blocked (the 'draft') or restricted, the stove will burn inefficiently, create soot or even blow out.

A permanently open fresh air inlet should be installed. This inlet must be at least 3" in diameter. Ducting fresh air to the stove is most satisfactory. It is important to create and maintain a positive pressure inside the boat. High winds can draw air from the boat and thus create a negative pressure. This condition can result in down drafts. Ensure that when you do have windows open that they do not create a suction effect in the cabin due to the window's position and the wind direction. In a similar way, it is possible for the air intake on your engine to suck the air out of a cabin if it is not properly vented.

Your stove is a natural draft appliance and it creates its draft pressure like a chimney in a wood stove. The rising, heated air in the stack pulls fresh air into the stove as it rises up the stack and exits the flue cap. The greater the draft pressure the more able the stove will be to resist strong winds, overcome flue elbows (that inhibit draft) and the hotter you will be able to get your stove without sooting.

A CO alarm should be installed in the boat along with the Dickinson high heat shut-off #02-211, if you are unable to fully attend the stove and still be on board the boat.

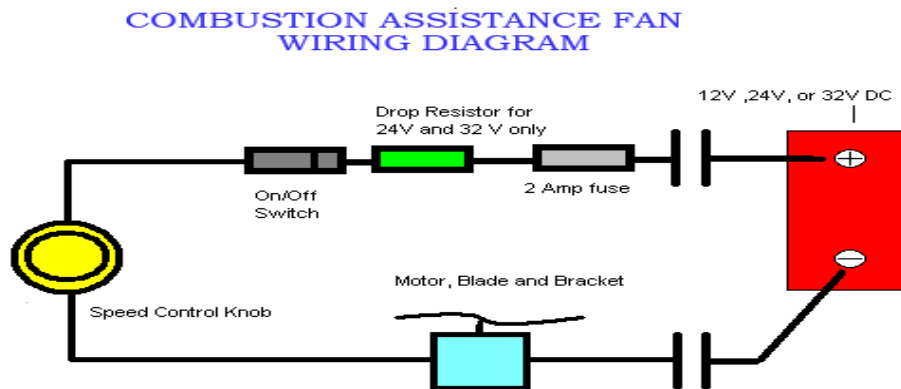
If when lighting the stove, the smoke from the burning tissue is sucked up the chimney then the boat has a positive pressure (good draft), but if the smoke comes out of the stove before replacing the lid then the boat has a negative pressure. Air is drawn in by way of the chimney instead of a vent and will have to be corrected in order for the stove to have a good draft and operate correctly.

### Draft Assist Fan

During start up, at higher settings or during windy conditions, you may want to use the combustion assist fan on your stove to artificially boost the draft. Your stove should operate without the use of the fan but it is convenient during start up and some stove installations are accomplished with only the minimum flue heights or with flue elbows that can inhibit the draft. Due to these possibilities, the combustion assist fan has been installed in your stove.

- 1 To speed start-up and pre-heating.
- 2 To ensure complete combustion and avoid flooding the burner when the fuel supply is turned up too quickly.
- 3 To limit the effects of back draft should this occur during windy conditions.
- 4 To operate the stove at high fire settings without carboning or smoking.

**Note:** Operating the fan can deliver too much air and cause the burner to run too lean (too much air in the fuel to air mixture). When using the fan try to give as much air as possible until some of the flames drop down and burn below the top burner ring, then back it off slowly until all the flames are again burning above the burner ring.



### **Installation Check-List for a Natural Draft Oil Heater / Stove**

A permanent 3" dia. fresh air vent to provide your heater/stove with the air it needs to operate properly.

Have a minimum of 4 feet of exhaust stack.

The first 12" of exhaust pipe from the heater/stove is going straight up without any elbows.

Install a barometric damper between 12" and 24" from the top of the heater/stove.

The overflow return from the valve is going to an overflow container or back to the main tank.

If using a gravity-feed tank it has to be a minimum of 12" to a maximum of 8 ft. above the oil level of the valve unless you are using a fuel pressure regulator.

If using a fuel-pump at 4 psi to pump oil from the main tank we recommend mounting it at the same height as the oil level in the valve.

Check all fuel line connections for any leaks.

There is a 2" space around the heater/stove and 6" away from any combustibles.

Insulate the wall or objects around the heater/stove with at least ¼" insulation and a sheet of stainless steel on ½" standoffs or ¼" insulation with ceramic tile.

Installs in sailboats has the valve in line with the boats keel.

The exhaust cap is clear of any obstructions to create unusual air movement.

The fuel tank is not pressurized.

If running fuel from the main tank, the tee into the fuel line is right at the tank before the filter.

There is a fuel filter installed

A fuel shut-off valve is installed in the same area as the stove.

All protective plastic on the stainless steel must be removed before lighting.

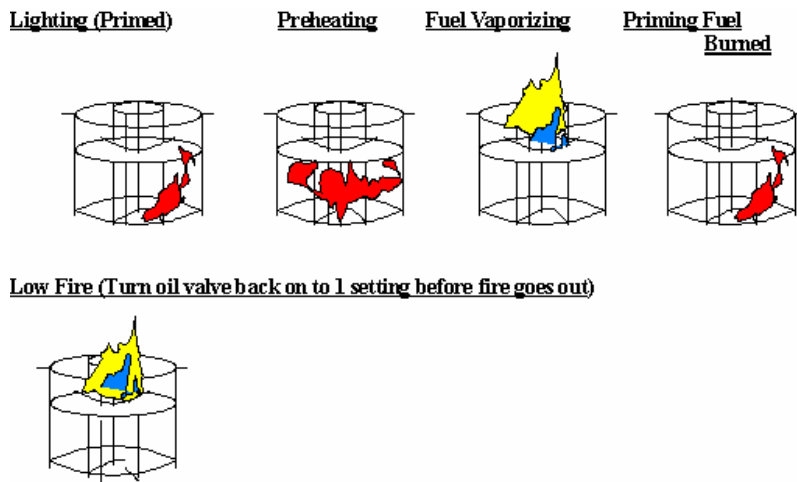
## Lighting Instructions

1. ENGAGE PUMP OR OPEN GRAVITY FEED VALVE TO ALLOW FUEL INTO THE METERING VALVE ON THE STOVE.
2. REMOVE THE TOP LID OFF THE STOVE AND REMOVE THE SUPERHEATER
3. TURN THE OIL METERING VALVE ON UNTIL APPROX 30 ml (2 tblsp) OF OIL HAS COLLECTED IN THE BOTTOM OF THE BURNER POT
4. TURN THE OIL METERING VALVE OFF
5. LIGHT THE POOL OF FUEL WITH A SMALL TWISTED PIECE OF TISSUE OR PAPER TOWEL
6. WHEN THE LIT PAPER HAS IGNITED THE OIL, , REPLACE THE SUPERHEATER INTO THE BURNER AND REPLACE THE CAST IRON STOVE LID
7. TURN ON THE COMBUSTION ASSIST FAN TO MEDIUM LOW
8. THE PRIMING FUEL WILL BURN FOR APPROXIMATELY 5 MINS. AND THE FLAME WILL REACH THE TOP OF THE BURNER POT AND THEN, AS THE STOVE STARTS TO GO OUT, THE FLAME WILL DROP BACK IN THE POT.
9. WHEN YOU SEE THE FLAME ALMOST ABOUT TO GO OUT, TURN THE OIL METERING VALVE TO POSITION ONE AND WATCH THE FLAME RISE UP TO THE BURNER RING.
10. IF THE FLAME GOES OUT FOR ANY REASON AT THIS STAGE, TURN THE VALVE OFF AND WAIT 5-10 MINUTES TO COOL THE BURNER BEFORE TURNING VALVE BACK ON AND RE-LIGHTING THE BURNER. DANGER NEVER LIGHT A HEATED BURNER
11. WHEN THE STOVE AND FLUE ARE HOT (20 MINS) THE COMBUSTION FAN MAY BE TURNED OFF OR TURNED DOWN. IF THE FLAME IS BELOW THE RING TURN DOWN/OFF THE FAN OR ADD FUEL. (REGARDLESS OF THE NUMBER OR POSITION OF THE VALVE METERING KNOB)
12. AFTER 30 MINS, YOU MAY WANT TO INCREASE THE STOVE SETTINGS. MAKE VERY SMALL INCREASES ( $\frac{1}{2}$  TO 1) INCREMENT AT A TIME, 5 MINUTES APART.

CAUTION: NEVER LIGHT A FLOODED BURNER. NEVER LIGHT A HEATED BURNER TO AVOID UNINTENDED COMBUSTION OF FUEL VAPOUR

NOTE; You can deviate from the #2 lighting instruction by leaving the superheater in, then on #5 instruction you will need to use the auger tool to push the lighted tissue off the superheater disc into the fuel below.

The first time the oil-metering valve is turned on it will take 5-10 minutes for the fuel lines to fill and oil to appear in the bottom of the burner. In the beginning you will want to see approximately 2 tablespoons of oil accumulate in the bottom of the pot before lighting. You will soon come to know how long the valve should be open to accomplish this. The burning characteristics of the flame during lighting is as follows



After start up and after a couple of minutes have passed, the flame should be lemon yellow, perhaps with some blue. Dirty orange colors or visible soot or smoke indicate an inefficient burn. The fan should be turned on or up to add more air in this situation or the valve turned down.

The flames should also be entirely burning above the top burner ring. Flame beneath the burner ring indicates an inefficient burn and will contribute to carbon build-up. The fan should be turned off or down in this situation or the valve should be turned up. Alternatively, this may indicate the barometric damper needs adjustment

## Warnings

- Do not light a hot burner
- Do not light a flooded burner
- Do not use gasoline or other highly flammable material to light the burner.

## Operating Tips

Every time the position of the knob on the oil metering valve is moved (fuel), the air will need adjusting in order to have the correct fuel to air mixture. This will:

- 1 Keep the burner, combustion chamber, flue pipe, and your deck **clean**
- 2 Keep the draft strong against down drafts
- 3 Keep the correct heat in the correct part of the combustion chamber

On the lower settings the burner needs less air. To reduce the air, adjust the barometric damper open wider (pg-6), turn off the fan, and add more fuel even if you do not want the heat. It is better to make too much heat and dissipate it than to run the burner too lean (flames in the burner) as this will result in hard carbon build up and soot. The burner was designed to burn a certain amount of fuel on low and if less fuel is burned (flames below the ring), the burner will not burn clean.

Turning up the valve in small increments will help the draft catch up with the fuel increases, and this keeps a good fuel to air mixture, and that helps in reducing soot.

When on medium to higher settings when the flames are looking orange with black tips, turn the fan on, but use the lowest fan speeds and increase air slowly until the flames start to turn yellow and are more vibrant. If you turn the fan on too much air will burn off all the fuel and the flames will end up below the top burner ring.

After the stove is well heated and cabin temperature is reaching comfort, the valve body and the fuel in it will start to warm and the stove will start to burn hotter. An adjustment will have to be made to turn down the fuel to the lowest setting so that the burner will have all the flames above the ring and not the setting on the valve. The number will only be used as a reference so you now know how low you can go and still have a clean burn. This is very noticeable when the fuel is in a very cold temperature.

When using the fan keep in mind that low settings require little or **no air**.

On the medium settings very little air or still none depending on if you have a longer chimney. The higher settings need air to keep the flames yellow but as the stove gets hotter the fan air can be reduced as the chimney will start to pull more air on its own.

While lighting the burner you can leave the superheater in the stove, give it a twist back and forth to clear the oil inlet, then throw the lighted tissue in. The tissue will land on the disc that is 2" above the bottom of the burner and will need to be pushed into the fuel underneath. The auger that came with the stove is a good tool for this and keeps your hands cleaner.

## Flooding Burner

A vaporizing oil burner of this type can be flooded if care is not taken to prevent excess oil entering the burner when lighting. By following the lighting instructions flooding will be avoided. A flooded burner that is still burning should be turned off and the stove monitored until the oil has burned off. Use the combustion assist fan to add air to fully combust the excess fuel.

Causes of burner flooding:

- Fuel entering the burner faster than it is burning.
- Increasing the fuel supply too quickly without use of the combustion assist fan.
- Poor draft and/or ventilation.

If the flame has extinguished, the oil metering will continue to deliver fuel to the burner causing it to accumulate fuel to a level of 5/8". Never relight this amount of fuel. The suggested method is to sacrifice a toilet paper roll as a perfectly fitted sponge and then dispose the roll. For this reason always monitor the stove closely when lighting.

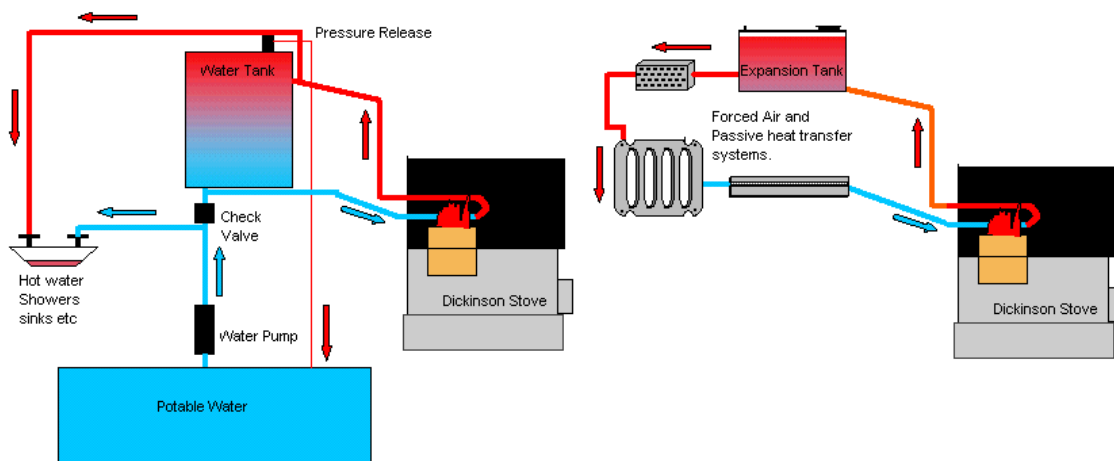
## Hot Water Coil Option

The stove can be equipped with a one or two turn hot water heating coil. This optional item should be installed at time of manufacture but can be retrofitted later.

Specifications - Coil 5/8th ins O.D. stainless steel tubing

One Turn heats - 10-15 gallon tank

Two Turn heats - 15-20 gallon tank



The coils in a stove can be used to heat the water in your existing hot water supply tank. If the tank is mounted above the lower coil the water will circulate on its own from the tank into the hot coils and rise back into the tank. If the 2 turn coil is used on smaller tanks, it will make the water too hot and the pressure/temperature relief valve will release too often. In this case the hot supply line will need a cooling radiator to dissipate the extra heat. The Radex heater will take the extra heat out of the water and return the heat back into the cabin. If a 1 turn coil is used with a larger tank the recovery time may take a long time. The temperature of the water will change from the operating settings set on the stove. When the coils are used in a hydronic system the temperature of the water will vary from the speed of the water being circulated through the coils.

## Coil Installation

It is best to order the stove with the coils installed but at a later date follow these instructions

1. There are 2 knockouts on the back of the stove that will need to be removed.
2. Use a screw driver and hammer to wedge the knockout open, then use pliers and twist the knockout until it breaks off.
3. The coil should fit through the lid hole and manipulate the coil so the ends of the coil stick 2" out from the wall of the stove.
4. Drill a hole and position the bracket that was included with the coil, to hold the coil in place with a 1/8th drill bit. Use the #10 x 1 1/4" screw to screw down the 'L' shaped bracket. Clamp down the coil between the two bracket pieces. This bracket keeps the coil in place. It is important that the coil be installed so there is a constant rise in the tube as it goes to the back of the stove. This aids in the movement of the water or glycol.



## **Cleaning Burner**

Carbon accumulates in the burner over a period of time and it must be cleaned out. It is especially important to ensure the air holes are clear. If you are burning good quality fuel and the stove is burning efficiently this cleaning procedure will only be required once a year. If there is rapid carbon build up in the burner pot, it indicates an operation problem or the need for a barometric damper adjustment. This must be rectified for satisfactory operation of the stove. Refer to the operations, installation or troubleshooting sections of this manual.

- 1) Remove the cast lid.
- 2) Insert the reamer tool (provided) into the fuel inlet hole. This will prevent loose carbon falling into the fuel inlet during cleaning.
- 3) With a wire brush, scrape any loose carbon from the sides of the burner.
- 4) Using a paper clip poke out the four rows of air intake holes on the sides of the burner to ensure that they are clear.
- 5) Remove any loose carbon from the base of the burner.
- 6) Remove the reamer and replace the burner ring and superheater.

## **Burner Replacement**

### **STOVE BURNER REPLACEMENT INSTRUCTIONS**

1. Remove shield and top by drilling out the stainless steel rivets. You will need a 3/16" dia. high quality drill bit.
2. Chip out the old cement then remove the fittings under the stove and then drill out the rivets that hold the original burner hanger plate in place. Replace with the new burner and install using #10 machine screws and nuts, or 3/16 pop rivets.
3. Replace the fittings from under the stove and use Teflon tape on the threads, Note do not over tighten the 1/4 npt nipple that connects to the burner bottom.
4. Mix the new insoline cement powder with water. It is not too important to get the consistency exact but oatmeal is a good consistency to aim for.
5. Paste the new cement in with a trowel or a wide knife and allow 24 hrs to dry.

## **Cleaning Fuel Lines**

Any blockage in the fuel line from the oil-metering valve to the burner can be cleaned by removing the clean-out plug situated directly under the burner. The plug must be replaced with tape sealant and checked for leaks. The fuel lines themselves can be cleaned with compressed air or a pipe cleaner to remove any blockages. Tap the fuel line to relieve air locks.

## **Cleaning Combustion Chamber**

This is the cemented area above the burner where the flame burns. The cement will show hair line cracks immediately on firing the stove. These cracks will not affect the burning of the stove. Re-lining the combustion chamber will only become necessary if the cement becomes loose or detached.

## **Recementing The Firebox**

### **CEMENT REPLACEMENT INSTRUCTIONS**

1. Chip away all old cement from the stove. Then mix the new insoline cement powder with water. It is not too important to get the consistency exact but oatmeal is a good consistency to aim for.
2. Paste the new cement in with a trowel or a wide knife. The cement will need 24 hours to dry completely.
3. Use any left over cement to repair any cracks in the insoline cement as the combustion chamber needs to be air tight for the stove to work correctly.
4. Allow 24 hrs to dry.

## **Cleaning the Cast Lid**

Uncoated cast iron cooking surfaces can deteriorate if not maintained. It is best that they be cured or seasoned before you use them. The process is the same as for a cast iron frying pan.

Some Dickinson stoves have been treated with stove black. While the stove black remains on the stove, these castings should not need curing.

To maintain the curing on the lid, you should only rinse or quickly wash with mild soapy water after each use. Too much scrubbing and hot water will remove the curing, and the lid

will require a re-seasoning. It is normal for your cast iron lid to require a re-seasoning occasionally.

Prepare the lid by scrubbing it with hot soapy water, ensuring there is no food residue or rust, and dry it completely. Heat the stove up and when it is only warm, apply a coat of melted shortening to the cast iron. Rub it in with a rag a little to get the grease into the pores. Liquid cooking oils are not recommended.

Heat the stove to a medium low and bake the top for at least 20 minutes. If it starts to smoke, reduce the temperature as low as possible until it stops. Using a fan across the top will help this. This may increase the time needed by a few minutes, but will not hurt the cure.

Turn the stove off and let it cool down. When the lid is still warm, wipe off all excess grease you can with a rag. Once the stove has cooled completely, restart it and run it at operational temperature for at least an hour. A re-seasoning may only require half of that time.

Removing mild rust should be done with a fine wire wheel on an electric drill while crusted rust can be dissolved by soaking the area in a 50 percent solution of white vinegar and water for a few hours. Perhaps use some soaked paper towel for this purpose. Don't leave it more than overnight without checking it. This solution will eventually eat the iron!

## **DO NOT OPERATE THIS PRODUCT UNATTENDED**

### Lighting Instructions

1. Remove top lid / open door
2. Turn the oil metering valve ON and allow about 30 ml (2 tbs) of fuel into the burner.
3. Turn the oil metering valve **OFF**
4. Open oven damper if applicable
5. Light the fuel with a twisted paper tissue
6. Replace lid / close door
7. Turn the fan assist to low speed  
**NOTE:** If the flame should go out at this stage, do **NOT** relight for 10 minutes.
8. The fuel will vaporize in 5 to 10 minutes and when the flames go down in the burner and start to go out: Turn the valve ON to a low setting that will keep the flames burning above the burner ring.
9. When the flue pipe is hot(15 minutes of burning) the assist fan may be turned OFF or on a very low setting.
10. Stay on low setting for 30 minutes before selecting higher settings  
**INCREASE FUEL SETTINGS IN VERY SMALL INCREMENTS**

**CAUTION: NEVER LIGHT A FLOODED BURNER**

[www.dickinsonmarine.com/video.html](http://www.dickinsonmarine.com/video.html)

## **Trouble Shooting**

### **- No fuel in the bottom of the burner**

Check the tank is vented or the pump has power and all shut-offs are open.

Disconnect the fuel outlet on the bottom of the valve, and let the valve drip into a container to test if the fuel is getting into the valve.

Blow through copper fuel line to clear any obstruction into the burner before reconnecting fuel outlet.

Check for air lock by tapping copper line when turning on the fuel for the first time after reconnecting.

### **- Hard carbon on the bottom of the burner**

The burner is getting too much air and needs a higher fuel setting, turn down the fan or turn off, open the barometric flap a little more.

### **- Soot on the window, in the chimney or on the deck**

The burner is getting too much fuel and needs a lower fuel setting, turn on the fan or increase the fan speed, close the barometric flap a little.

### **- Burner Floods**

The burner is getting too much fuel when lighting the burner and needs more air to burn off the fuel on start up. The valve may have been left on too long and too much fuel was in the burner before lighting, or not turning the valve off during the preheating of the burner. If the draft is extremely poor and smoke is coming out of the stove into the cabin. For all these reasons the fan will add the air to burn off the fuel.

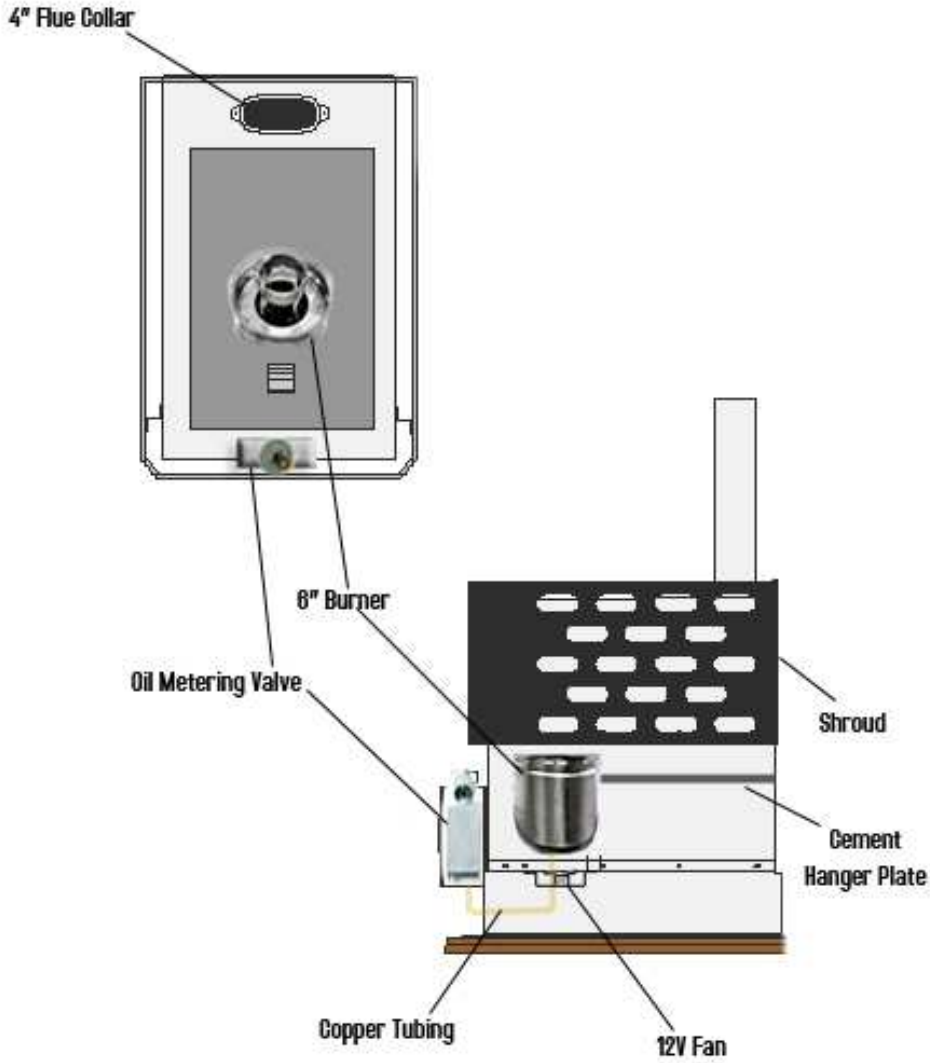
### **- Cannot get the flames to burn above the top burner ring**

The burner is getting too much air and needs a higher fuel setting, turn down the fan or turn off, open the barometric flap a little more.

### **- Fuel coming out the overflow or top of the valve**

The fuel coming out the overflow indicates a problem with the needle and seat, or float inside the valve,( refer to pg-9) for cleaning instructions. There may be too much pressure in the fuel line to the valve. A pump with too high a pressure setting or a large fuel tank will need a pressure regulator. The fuel will not come out the top of the valve unless there is a back flow of fuel up the overflow line. Check for loops or air locks in the line and the tank vent may be higher than the valve height.

### LOFOTEN HEATER



### PARTS LIST

- 01-030 - 12v Draft Assist Fan
- 01-072 - 12v Fan Control
- 02-000 - 3D Oil Metering Valve
- 03-010 - 6" Burner
- 03-040 - 6" Burner Ring
- 03-080 - 8" Superheater
- 05-060 - Replacement Window
- 08-020 - 4" Flue Collar
- 13-080 - Drip Tray
- 14-000 - Lid Lifter
- 14-070 - Reamer Rod
- 05-020 - Cement Hanger Plate

## FAQ

Can I burn bio diesel?

yes, refer to page-14 in the manual

Can I burn low carbon diesel?

yes, same as bio-diesel, refer to page-14

Why is there hard carbon in the bottom of the burner?

fuel burning with too much air, refer to page-12 & 29

Why is the window glass and combustion chamber sooty?

fuel burning with not enough air, refer to page-12 & 29

Can I convert my valve to kerosene or diesel#1/stove oil?

yes, refer to page-11

What size water coil should I use?

that will depend on the size of your hot water tank, refer to page-25

What is the best way to light the stove?

refer to page -22 & 24

Why does my rain cap look rusty?

refer to page 7

How do I install a round pipe on the oval flue collar?

refer to page-6

Do I have to install a separate vent for the stove?

yes, refer to page-19

Should I install a barometric damper?

yes, refer to page-6

What is the minimum length of chimney?

4 ft. refer to page-6

Should I use a pump from the main tank or a gravity fed day tank?

refer to page-7 to 10

Do I need to move the valve to the side of the stove in my sailboat?

yes, refer to page-4

What style rain cap is the best?

refer to page-7

What kind of clearance to combustibles does the stove need?

refer to page-4

Where is the best place to mount the fuel pump?

refer to page-8

## Limited Warranty

**WARRANTY PROVISIONS** : Dickinson warrants this product to be free of defects in workmanship and materials for a period of one year. This warranty is limited to claims submitted in writing within a one-year period following the date of purchase. If any part of your new product fails because of a manufacturing defect within the warranty period Dickinson offers to replace said parts free of charge, provided, however, that such parts have not been improperly repaired, altered or tampered with or subjected to misuse, abuse or exposed to corrosive conditions. This warranty, however, is limited by certain exclusions, time limits and exceptions as listed below. Read these limitations and exclusions carefully.

**TIME LIMIT** : This warranty is given too and covers only the original purchaser. Coverage terminates one year from the date of purchase for parts replacement. **EXCLUSIONS** : This warranty does not cover or include : (a) Any normal deterioration of the product and appearance of items, due to wear and/or exposure; (b) any guarantees, promises, representations, warranties or service agreements given or made by an authorized distributor or other person selling this product, other than those specifically stated herein; (c) any damage or defect due to accident, improper repair, alteration, unreasonable use including failure to provide reasonable and necessary maintenance, misuse or abuse of the equipment, or exposure to corrosive conditions. This warranty is conditioned upon normal use, reasonable and necessary maintenance and service of your product, and written notice being given promptly upon Buyer's discovery of a warranty claim, pursuant to paragraph 6 below. Reasonable and necessary maintenance is maintenance which you are expected to do yourself or have done for you. It is maintenance, which is necessary to keep your product performing its intended function and operating at a reasonable level of performance.

**DAMAGE LIMITATION WARNING** : IN NO EVENT SHALL Dickinson BE LIABLE FOR ANY INCIDENTAL OR CONSEQUENTIAL DAMAGES, INCLUDING (BUT NOT LIMITED TO) LOSS OF USE OF THE PRODUCT, LOSS OF TIME, INCONVENIENCE, EXPENSES FOR TRAVEL, LODGING TRANSPORTATION CHARGES, LOSS BY DAMAGE TO PERSONAL PROPERTY OR LOSS OF INCOME, PROFITS OR REVENUE.

**ORAL OR IMPLIED WARRANTY LIMITATIONS** : The foregoing warranty is exclusive and in lieu of all other warranties, written or oral, expressed or implied, including but not limited to any warranty or merchantability or fitness for a particular purpose.

**TRANSFER LIMITATIONS** : This warranty is not assignable or transferable. It covers only the original purchaser.

**CLAIM PROCEDURE** : In the event of a defect, problem or that a breach of this warranty is discovered, in order to protect any warranty rights you must promptly notify Dickinson. Give name, address, and model name, location of unit, description of problem and where you can be reached during business hours.

**RESERVED RIGHT TO CHANGE** : Dickinson reserves the right to make changes or improvements to products it produces in the future without imposing on itself any obligations to install the same improvements in the products it has previously manufactured.

**SECOND OR SUBSEQUENT OWNER** : Dickinson does not give any warranty to secondary or subsequent purchasers, and it disclaims all implied warranties to such owners.

**INSPECTION** : To assist you in avoiding problems with your product and to validate this warranty you are required to do the following : (a) read the warranty; (b) inspect the product. Do not accept delivery until you have examined the product with your supplier; (c) ask questions about anything you do not understand concerning the product.

**OWNER REGISTRATION** : Fill out the WARRANTY CARD within 30 days from the date of delivery.

**WARRANTY** : RETURN OF THE CARD IS CONDITION PRECEDENT TO WARRANTY COVERAGE AND PERFORMANCE. IF YOU DO NOT FILL OUT AND MAIL THE CARD AS DIRECTED, YOU WILL NOT HAVE A WARRANTY.

**LEGAL RIGHTS** : This warranty gives you specific legal rights and you may also have other rights, which may vary within different government jurisdictions.

Return to:



SINCE 1932

#407 – 204 Cayer Street, Coquitlam, B.C. Canada V3K 5B1

**WARRANTY FORM**

I have read and understand the Limited Warranty and the Instruction Manual  
and agree to the terms and condition  
(please print)

Date.....

Purchaser's Name.....

Address.....

.....

Model Name.....**Lofoten...Stove**.....

Serial Number.....

Date Of Purchase.....

Signature.....

Name of Seller.....

Seller Location.....

Note: The warranty form can be filled out and sent from the  
website: [www.dickinsonmarine.com](http://www.dickinsonmarine.com)