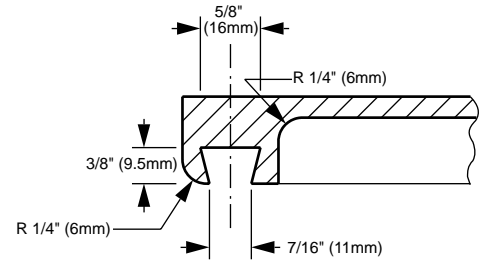
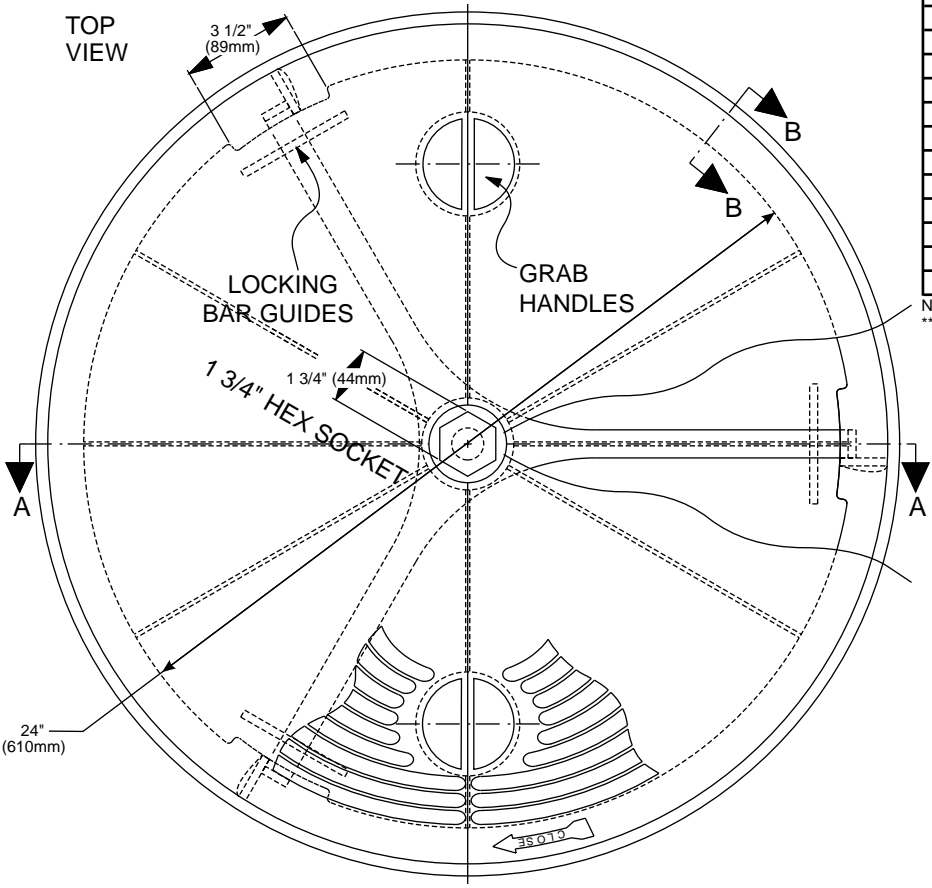


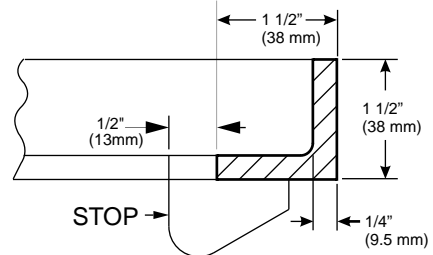
BILL OF MATERIAL: #630

PC.NO.	DESCRIPTION	MATERIAL
1	COVER	***
2	STRONGBACK	***
3	BOLT (1 1/2" Ø)	STAINLESS STEEL
4	GASKET	NEOPRENE
5	WASHER	STAINLESS STEEL
6	WASHER	NEOPRENE
7	ROD (1/2" Ø)	GALVANIZED STEEL
8	DECK RING	***
9	WRENCH	GALVANIZED STEEL
10	LUBE ZERK	ANODIZED STEEL
11	SPRING	STAINLESS STEEL

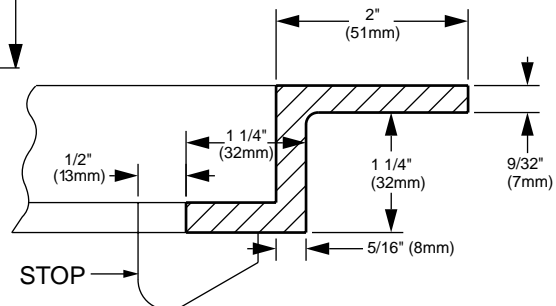
NOTE:
*** CORROSION RESISTANT ALUMINUM, OR GALVANIZED STEEL



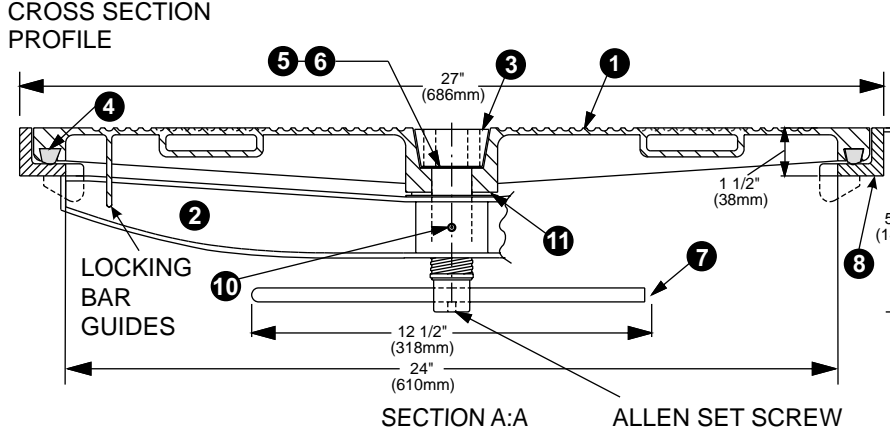
GASKET GROOVE, SECTION B:B



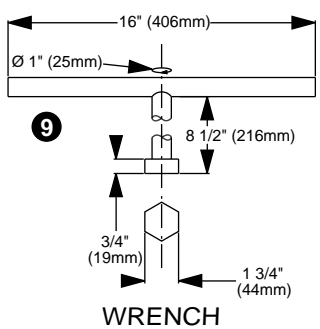
GALVANIZED STEEL DECK RING



CAST ALUMINUM DECK RING



SECTION A:A ALLEN SET SCREW



WRENCH

IMPORTANT:
WHEN ORDERING, PLEASE SPECIFY OUTSIDE DIAMETER (C) OR CLEAR OPENING (D).
UNITS ARE IDENTIFIED BY CLEAR OPENING.

HATCH WEIGHTS LBS.(KGMS)	
Model Number	BFHR24
Material	AL ST
Cover	45 (20.4) 127 (57.5)
Deck Ring	15 (6.8) 15 (6.8)

BAIER Marine Company, Inc.
1-800-455-3917
206-632-2441 (FAX)
sales@baiermarine.com

BAIER FLUSH HATCH
LIFT-OUT PLAIN DOGGED TYPE
WITH GRAB HANDLES
TYPE "C" POSITIVE LOCKING
MODEL BFHR24

DWG. NO. 630