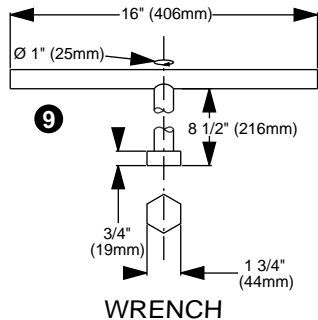
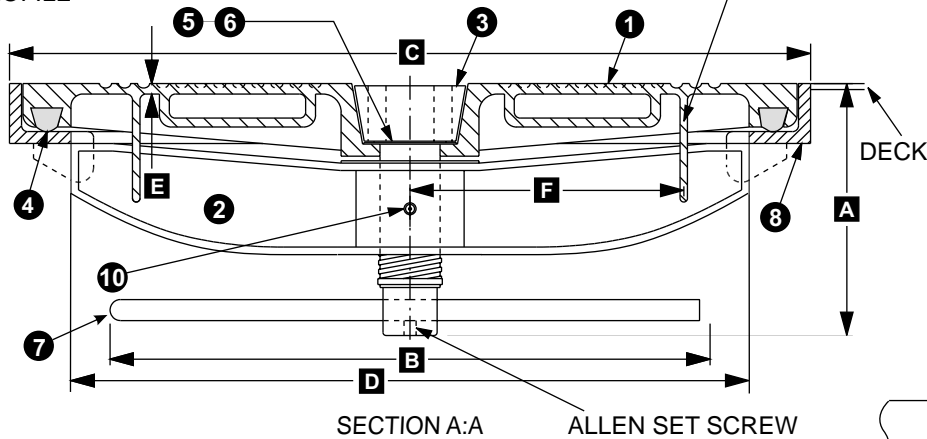


CROSS SECTION PROFILE



IMPORTANT:
WHEN ORDERING, PLEASE SPECIFY OUTSIDE
DIAMETER (C) OR CLEAR OPENING (D).
UNITS ARE IDENTIFIED BY CLEAR OPENING.

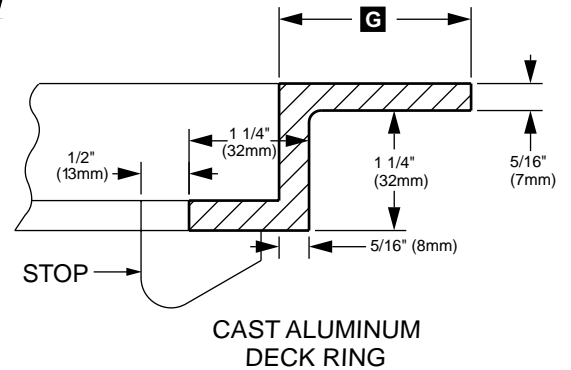
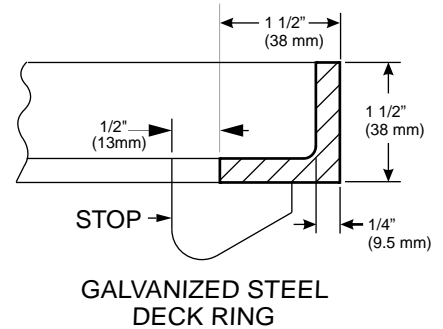
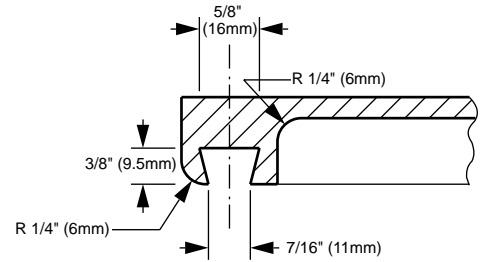
HATCH WEIGHTS LBS. (KGMS)								
Model Number	BFHR20		BFHR18		BFHR16		BFHR14	
Material	AL	ST	AL	ST	AL	ST	AL	ST
Cover	30 (13.6)	81 (36.7)	27 (12.2)	62 (28)	22 (10)	56 (25.4)	20 (9.1)	53 (24)
Deck Ring	11 (5)	11 (5)	10 (4.5)	10 (4.5)	8 (3.6)	9 (4.1)	7 (3.2)	8 (3.6)

DIMENSIONS INCHES (mm)							
Model	A	B	C	D	E	F	G
BFHR20	5 1/4 (133)	12 1/2 (318)	22 11/16 (576)	20 (508)	7/32 (5.6)	8 1/2 (216)	2 (51)
BFHR18	5 1/4 (133)	12 1/2 (318)	20 11/16 (525)	18 (457)	7/32 (5.6)	7 1/4 (184)	2 (51)
BFHR16	5 1/4 (133)	12 1/2 (318)	18 11/16 (475)	16 (406)	7/32 (5.6)	6 1/4 (159)	2 1/2 (64)
BFHR14	5 1/4 (133)	12 1/2 (318)	16 11/16 (424)	14 (356)	7/32 (5.6)	6 1/4 (159)	2 1/2 (64)

BILL OF MATERIAL: #286-1

PC.NO.	DESCRIPTION	MATERIAL
1	COVER	***
2	STRONGBACK	***
3	BOLT (1 1/2" Ø)	STAINLESS STEEL
4	GASKET	NEOPRENE
5	WASHER	STAINLESS STEEL
6	WASHER	NEOPRENE
7	ROD (1/2" Ø)	GALVANIZED STEEL
8	DECK RING	***
9	WRENCH	GALVANIZED STEEL
10	LUBE ZERK	ANODIZE STEEL

NOTE:
*** CORROSION RESISTANT ALUMINUM, OR GALVANIZED STEEL



BAIER Marine Company, Inc.
1-800-455-3917
206-632-2441 (FAX)
sales@baiermarine.com

BAIER FLUSH HATCH
LIFT-OUT PLAIN DOGGED TYPE
WITH GRAB HANDLES
TYPE "C" POSITIVE LOCKING
MODEL BFHR20,18,16, AND 14

DWG. NO. 286-1