



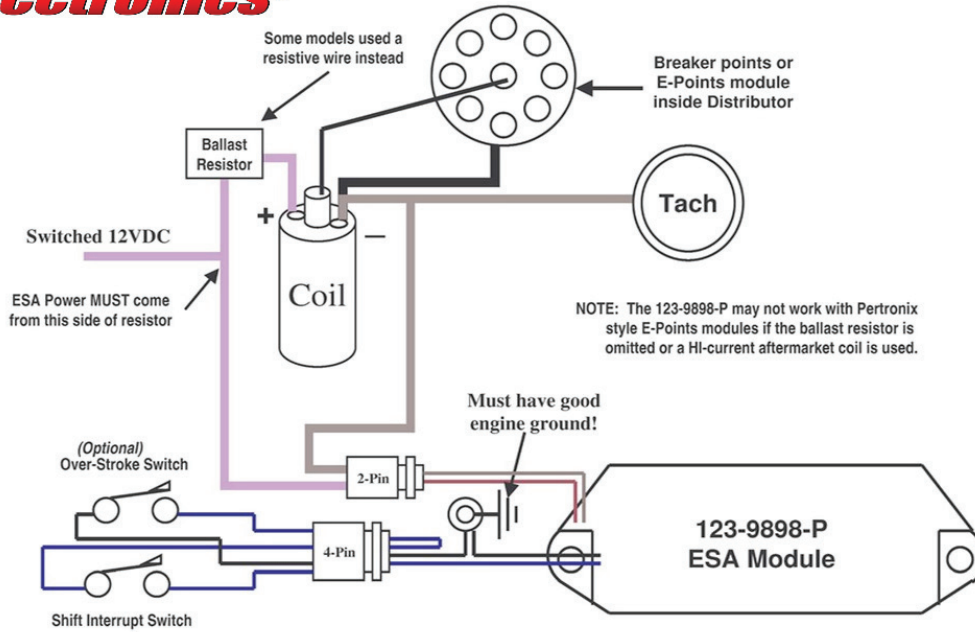
## OMC Cobra Drive ESA Cross Reference

| Application                  | Years   | Type           | OEM P/N | Supersession | CDI P/N           | Coil    |
|------------------------------|---------|----------------|---------|--------------|-------------------|---------|
| 2.3L, 2.5L, 3.0L             | 86 - 88 | Points         | 984281  | 987740       | <b>123-9898-P</b> | 383444  |
| 2.3L, 2.5L, 3.0L, 4.3L       | 86 - 90 | Points         | 987740  |              | <b>123-9898-P</b> | 383444  |
| 2.3L, 2.6L, 3.0L, 4.3L       | 89 - 90 | Points         | 985902  | 987740       | <b>123-9898-P</b> | 383444  |
| 2.5L, 3.0L                   | 82 - 85 | Points         | 982755  |              | <b>123-9898-P</b> | 383444  |
| 3.0L, 3.0L HO                | 90      | Delco EST      | 986610  | 987396       | <b>123-7878</b>   | 986644  |
| 3.0L, 3.0L HO                | 90      | Delco EST      | 987396  | 987878       | <b>123-7878</b>   | 986644  |
| 3.0L, 3.0L HO                | 92 - 93 | Delco EST      | 987566  |              | <b>123-7566</b>   | 986644  |
| 3.0L, 3.0L HO                |         | Delco EST      | 987874  |              | <b>123-7566</b>   | 986644  |
| 3.0L, 3.0L HO                |         | Delco EST      | 987878  |              | <b>123-7878</b>   | 986644  |
| 3.0L, 4.3L, 5.0L, 5.7L, 5.8L | 91      | Switch Assy.   | 986900  |              | N/A               | N/A     |
| 3.0L, 4.3L, 5.0L, 5.7L, 5.8L | 92 - 93 | Switch Assy.   | 987602  |              | N/A               | N/A     |
| 3.2L, 5.7L, 7.4L, 7.5L       | 90 - 93 | Switch Assy.   | 986368  | 988039       | N/A               | N/A     |
| 3.8L, 4.3L                   | 82 - 85 | Points         | 982774  |              | <b>123-9898-P</b> | 383444  |
| 4.3L                         | 86 - 88 | Points         | 984036  | 986342       | <b>123-9898-P</b> | 383444  |
| 4.3L                         | 86 - 88 | Points         | 986342  | 987740       | <b>123-9898-P</b> | 383444  |
| 4.3L 2V only (HO 4V = EEM)   | 91      | Prestolite BID | 986999  | 987403       | <b>123-7567</b>   | 383444  |
| 4.3L 2V only (HO 4V = EEM)   | 91      | Prestolite BID | 987403  | 987875       | <b>123-7567</b>   | 383444  |
| 4.3L 2V only (HO 4V = EEM)   | 91      | Prestolite BID | 987875  |              | <b>123-7567</b>   | 383444  |
| 4.3L 2V only (HO 4V = EEM)   | 92 - 93 | Prestolite BID | 987567  |              | <b>123-7567</b>   | 987673  |
| 5.0L - 5.8L Ford             | ?? - 90 | Points         | 987739  |              | <b>123-9898-P</b> | 383444  |
| 5.0L, 5.7L                   | 82 - 85 | Points         | 982749  |              | <b>123-9898-P</b> | 383444  |
| 5.0L, 5.7L                   | 86 - 88 | Points         | 984276  | 984730       | <b>123-9898-P</b> | 383444  |
| 5.0L, 5.7L, 5.8L             | 89 - 90 | Points         | 974730  | 987739       | <b>123-9898-P</b> | 383444  |
| 5.0L, 5.7L, 7.5L Ford        | ?? - 90 | Points         | 987738  |              | <b>123-9898-P</b> | 383444  |
| 5.0L, 5.8L Ford              | 91      | Prestolite BID | 987876  |              | <b>123-7571</b>   | 383444  |
| 5.0L, 5.8L Ford              | 92 - 93 | Prestolite BID | 987564  |              | <b>123-7571</b>   | 383444  |
| 5.0L, 5.8L Ford              | 93      | Switch Assy.   | 987757  |              | N/A               | N/A     |
| 5.7L                         | 90 - 91 | EEM            | 986297  | 987495       | N/A               | 914636  |
| 5.7L                         | 91      | Prestolite BID | 987877  |              | <b>123-7571</b>   | 383444  |
| 5.7L                         | 91 - 92 | Prestolite BID | 987571  |              | <b>123-7571</b>   | 383444  |
| 5.8L                         | 93      | Switch Assy.   | 988038  |              | N/A               | N/A     |
| 5.8L                         | 93      | Switch Assy.   | 988039  | 3854432      | N/A               | N/A     |
| 5.8L                         | 94      | Switch Assy.   | 3854410 |              | N/A               | N/A     |
| 5.8L                         | 94      | Switch Assy.   | 3854431 |              | N/A               | N/A     |
| 5.8L                         | 94      | Switch Assy.   | 3854432 |              | N/A               | N/A     |
| 7.4L                         | 90 - 91 | EEM            | 986293  | 987497       | N/A               | 914636  |
| 7.4L                         | 94 - 95 | Switch Assy.   | 986361  | 3854133      | N/A               | N/A     |
| 7.4L                         | 94 - 95 | Switch Assy.   | 3854133 | 3854432      | N/A               | N/A     |
| 7.4L                         | 95      | Delco EST      | 3854714 |              | <b>123-7566</b>   | 3854002 |
| 7.5L Ford                    | 87 - 88 | Points         | 974730  | 987738       | <b>123-9898-P</b> | 383444  |
| Shift Switch for most        | 86 - 90 | Switch Assy.   | 984051  |              | <b>933-4051</b>   | N/A     |
|                              |         |                | 987000  | 987400       | N/A               |         |
|                              |         |                | 987400  |              | N/A               |         |



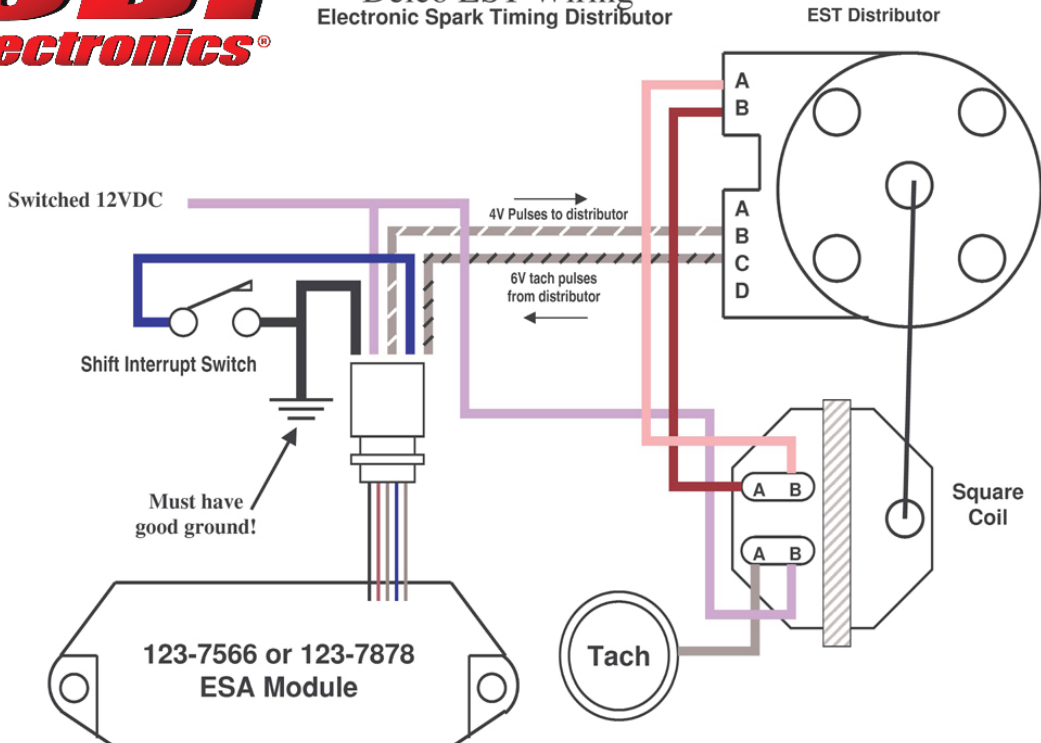
## CDI Electronics®

### Breaker Points Wiring



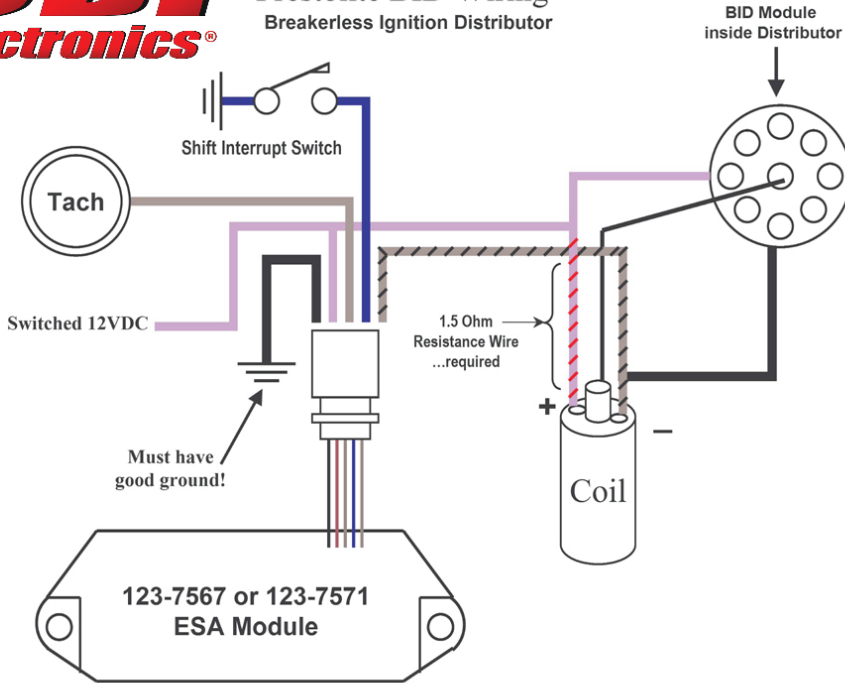
## CDI Electronics®

### Delco EST Wiring Electronic Spark Timing Distributor





**Prestolite BID Wiring**  
Breakerless Ignition Distributor

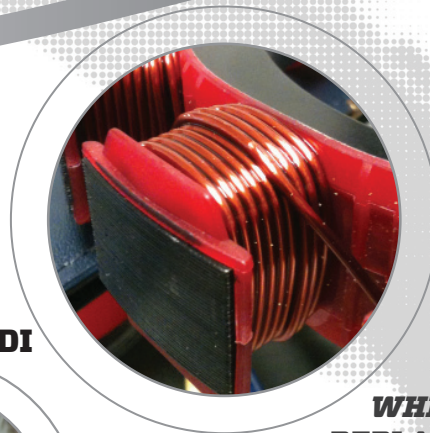


KEEPING YOUR BOAT ON THE WATER

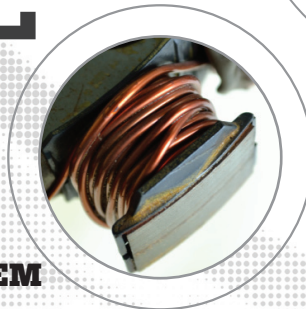


AS GOOD OR  
**BETTER**  
THAN THE  
**ORIGINAL**

**CDI**



**OEM**



**WHEN PARTS FAIL,  
REPLACE THEM WITH  
PARTS THAT WILL LAST.  
CDI MANUFACTURES  
QUALITY COMPONENTS  
THAT ARE DESIGNED  
AND BUILT AS GOOD OR  
BETTER THAN THE OEM.**