

**Cat. No. 0455 Series**

**White All-Round Lights (All Sizes)**

These lights are designed for use on **POWER** driven vessels under 20 meters (65.6 ft.) in length operating on a nominal 12 volt system.

**Cat. No. 0466 Series**

**White All-Round Lights (All Sizes)**

These lights are designed for use on **POWER or SAIL** driven vessels under 20 meters (65.6 ft.) in length operating on a nominal 12 volt system.



**USCG APPROVAL**  
33 CFR 183.810  
**Visibility: 2nm**  
Date Tested By: IMANNA Labs.  
2/4/03  
Meets ABYC A-16

In order to comply with '72 COLREGS and the U.S. Inland Rules, the following must be adhered to:

***MOUNTING INFORMATION***

Read all instructions before proceeding.

- 1). For proper light selection, positioning and configuration, refer to A.B.Y.C. Standard A-16\*, the '72 COLREGS\*, and the U.S. Inland Rules\*.
- 2). These lights are designed to be mounted on a horizontal surface. Horizontal rotation of these lights is unimportant, as all-round lights have 360° horizontal arc of visibility.
- 3). Place a mark at center of the selected mounting location.
- 4). Cut out the mounting template below. Place it on the mounting surface such that the reference mark (drawn above) is directly underneath the center of the template.
- 5). Drill indicated holes through the template to accommodate #8 round or pan head mounting screws and electrical supply.
- 6). Attach supply connections to the light, making sure to wire in accordance with both A.B.Y.C. Standard E-9\* and U.S. Coast Guard Safety Standards for Boat Electrical Systems (33 CFR 183)\*.
- 7). Mount the base in accordance with the template.
- 8). **IMPORTANT:** Globes must be vertical during operation (see Diagram #1).
- 9). Relamp only with bulb type as marked on globe or inside fixture. For these lights use ANSI #90 bulbs (PERKO Cat. No. 0337011DP 12V, 7W).

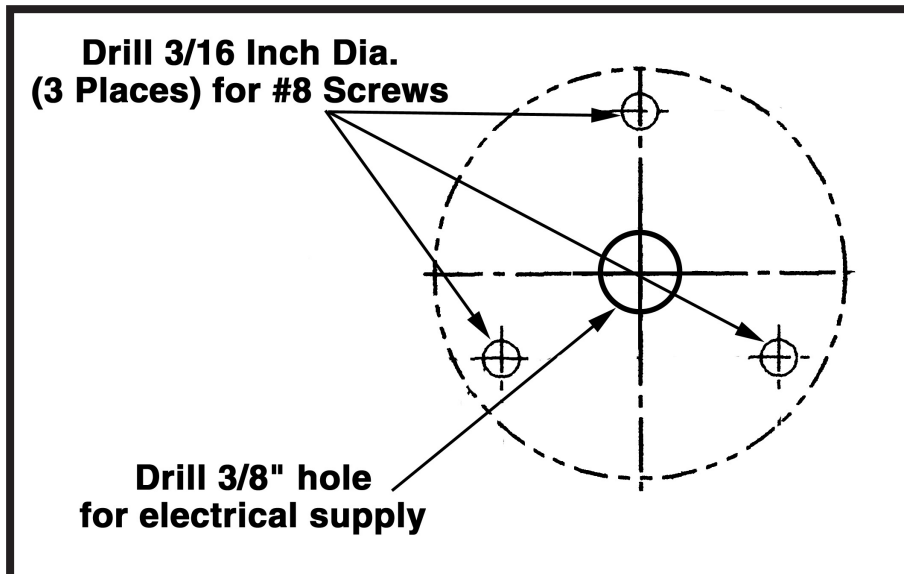
\*The above referenced standards can be obtained from:

- |   |  |
|---|--|
| (1). American Boat & Yacht Council, Inc.<br>613 Third Street, Suite 10<br>Annapolis, MD 21403 | (2). U.S. Coast Guard<br>Washington, D.C. 20593<br>(or your local C.G. Office) |
|---|--|

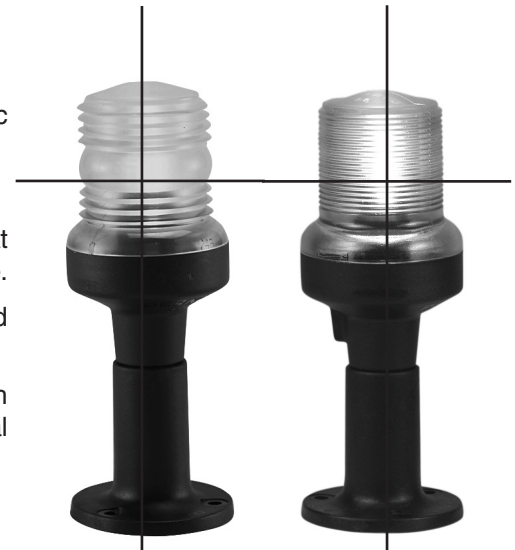
PERKO, INC.  
16490 N.W. 13th Avenue  
Miami, FL 33169-57070  
www.perko.com

**CAT NOS. 0455 & 0466 SERIES  
MOUNTING TEMPLATE**

12/08  
0455INS1



**DIAGRAM #1**



**Fig. 0455 Series**  
(Power Driven Vessels Only)

**Fig. 0466 Series**  
(Sail or Power Driven Vessels)

**NOTE: GLOBES MUST BE VERTICAL DURING OPERATION**