

- Cat No. 1071/1072 #1 Series Lock with Flush Cam Bar and Flexible Plastic Strike Plate.*
- Cat No. 1071/1072 #2 Series Lock with Offset Adjustable Cam Bar.*
- Cat No. 1071/1072 #3 Series Lock with Straight Cam Bar and Flexible Plastic Strike Plate.*
- Cat No. 1081/1082 #1 Series Latch with Flush Cam Bar and Flexible Plastic Strike Plate.*
- Cat No. 1081/1082 #2 Series Latch with Offset Adjustable Cam Bar.*
- Cat No. 1081/1082 #3 Series Latch with Straight Cam Bar and Flexible Plastic Strike Plate.*

Note: *Figs. 1071/1072 Series for use on carpeted surfaces only.*
Figs. 1081/1082 Series for use on smooth or carpeted surfaces.

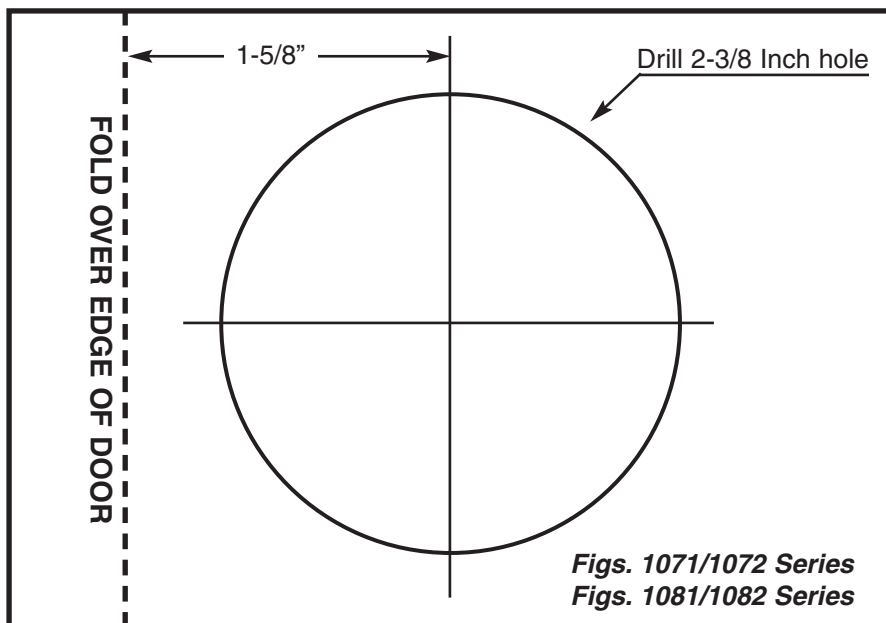
MOUNTING INSTRUCTIONS

These locks or latches are designed to be mounted through surfaces from 1/8 inch to 7/8 inch thick. The cam bars are adjustable to a maximum of 3 inches from the mounting surface. (The optional strike plate is supplied only with style #1 & #3).

- 1). Cut out the template below. Fold on dotted line. Place on mounting surface at desired location with folded tab overlapping edge.
- 2). Mark center of hole for drilling.
- 3). Drill a 2-3/8 inch hole through the mounting surface.
- 4). Reverse spacer if necessary on very thin surfaces. Use mounting gasket for smooth surfaces (supplied with Fig. 1081/1082 series only) or discard for carpeted surfaces.
- 5). Insert lock or latch through the hole in the surface and attach spacer and back-up nut.
- 6). Mount strike plate (if desired) on suitable surface.
- 7). Re-assemble cam bar with proper adjustment. Tighten set screw and locking nut with lock washer.

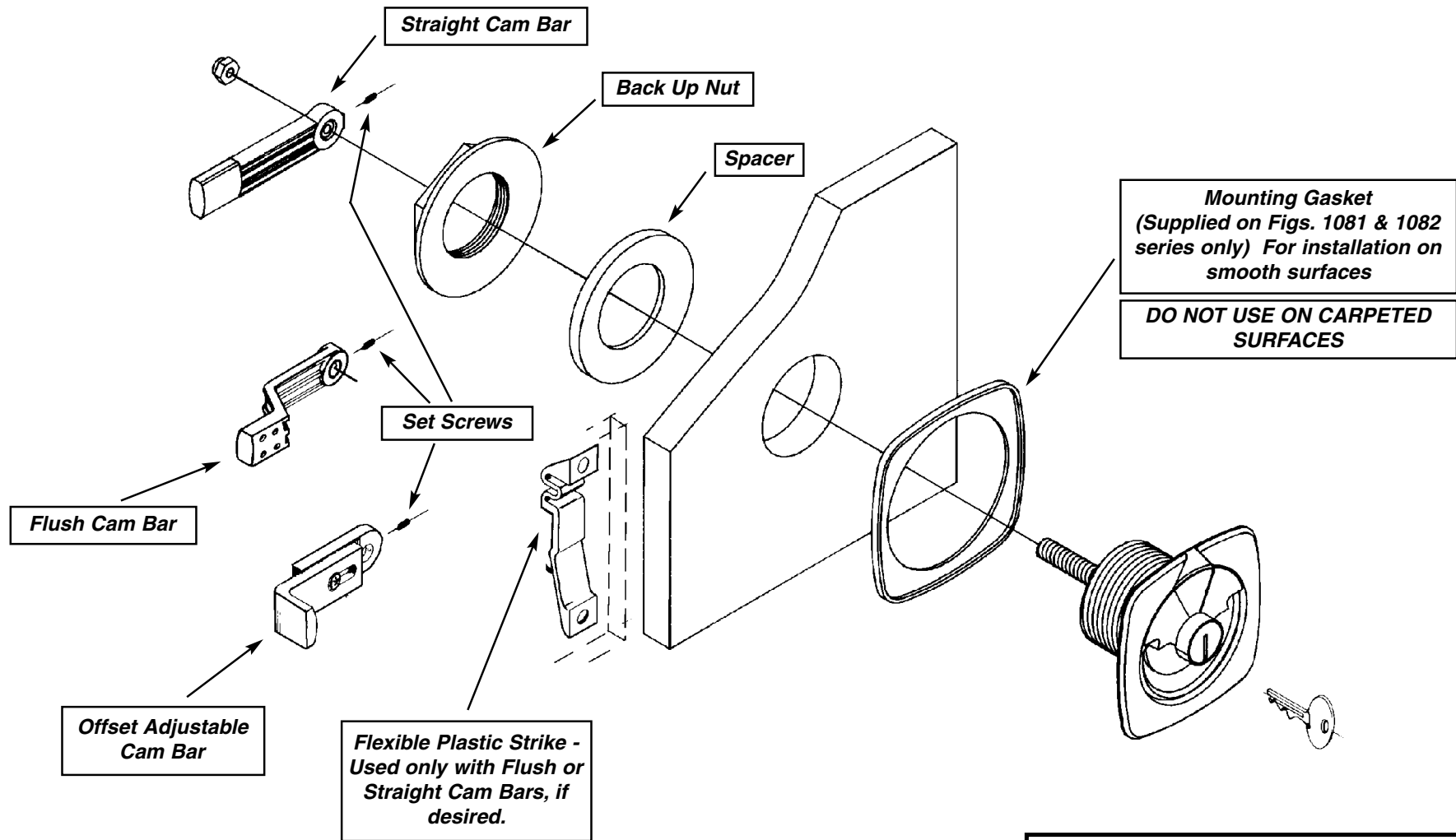
Note: *For continued ease of operation, periodically apply a lock cylinder lubricant.*

MOUNTING TEMPLATE





**Exploded Assembly Drawing for Installation of
Fig. Nos. 1071, 1072, 1081 and 1082 Series
Flush Locks & Latches**



**Fig. 1071/1072 Series Lock Sets
Fig. 1081/1082 Series Latch Sets**