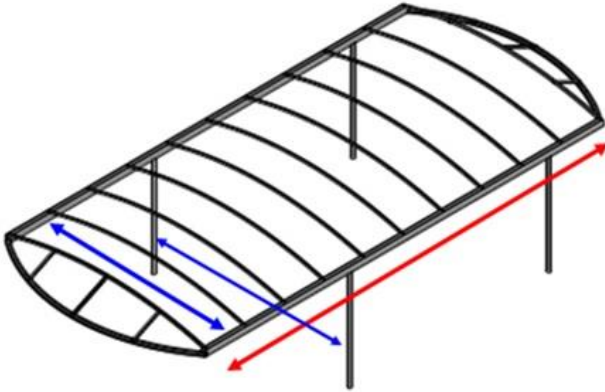


# Measuring Your Canopy



- **Measuring Instructions for: Shore Station & Lakeshore Canopy Aluminum Frames.**

Length= Measure the 4" round side tube (without ends) and add 24".

Ex: Side tube measures 20', then add 24" to get 22' length.

Width= Measure the INSIDE Width of canopy frame OR INSIDE width between boatlift uprights.

- **Shore Station Steel Frame**

Measure the inside width of the bottom of the frame in inches.

Next, count the loose ribs of the frame (don't include the ends).

The number of ribs correlates with a specific length as follows:

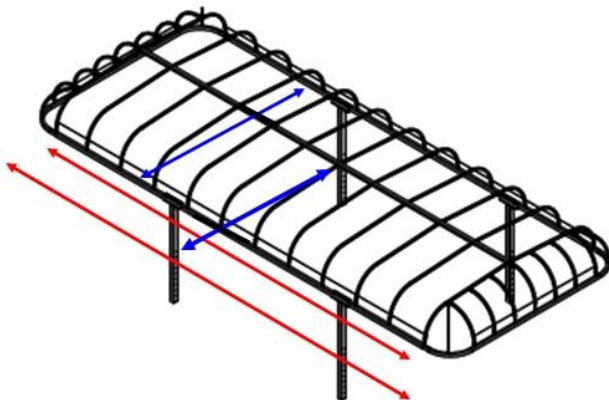
7 ribs — 19'

8 ribs — 21'

9 ribs — 23'

10 ribs — 25'

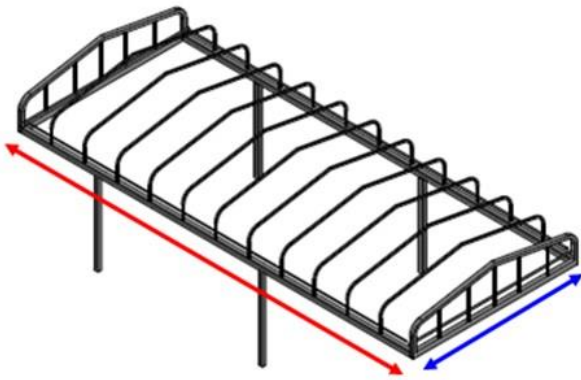
Example: The inside width measures 98" and I have 8 loose ribs, so the frame is 21' x 98".



- **Measuring Instructions for: Shoremaster, Harbormaster rounded corners & Triton.**

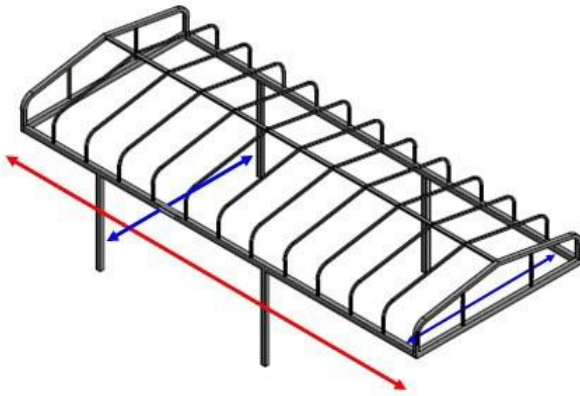
Length= Measure total OUTSIDE Length OR Side channel (without ends) and add 36"

Width= Measure INSIDE width of frame or INSIDE width of boatlift uprights



- **Frame Measuring Instructions for: Great Lakes, Hewitt Flat & Hewitt Flared Ends.**

Length= Measure total OUTSIDE Length of canopy frame.  
 Width= Measure total OUTSIDE Width of canopy frame.



- **Measuring Instructions for: DAKA, EZ-Lift, Feighner, Floe, Harbormaster, MAX, Midlander, Nucraft, Pier Pleasure, Porta-Dock, Shoreline, Shoremate, Summit, Vibo.**

Length= Measure total OUTSIDE Length  
 Width= Measure INSIDE width of canopy frame or in-between the boatlift uprights